



## Description

The Venture LED 2x2 troffer is a high quality and economical troffer luminaire powered by LED lighting technology which offers the highest return on initial investment over the life time of the fixture. An excellent highly efficient fixture ideal for office spaces, schools, hospitals, and many other indoor locations. Compatible with most industry standard T-bar grids.

## Construction

The housing unit is constructed from heavy-duty aluminum. Fixtures are finished with a durable white powder coating. Each unit is rated for damp and dry locations

## Electrical

The power supply has a range of 120-277V, 50/60 Hz. The high performance fixtures are rated up to 50,000 hours. 0-10V dimming capability is standard.

## Mounting

The fixture is designed for replacing fluorescent fixtures in T-grid drop ceiling applications.

DLC Model# TR22-32NA-00

## Product Performance

Wattage	32W
Lumen Output	3720
Correlated Color Temperature (CCT)	4000K
Color Rendering Index (CRI)	80
Life Hours	50,000
Replaces Fluorescent Troffer	2x2
Operating Temperature Range	-4°F to 113°F (-20°C to 45°C)

## Physical Characteristics

Fixture Color	White
Weight	9.16 lbs
Width	23.78"
Length	23.86"
Height	3.35"

## Electrical Characteristics

Amperage Draw (Input Volts/Amps)	120/0.29 208/0.17 240/0.15 277/0.13
----------------------------------	-------------------------------------

## Regulatory Qualifications

cULus Listed, IC-Rated, Rated for dry and damp locations

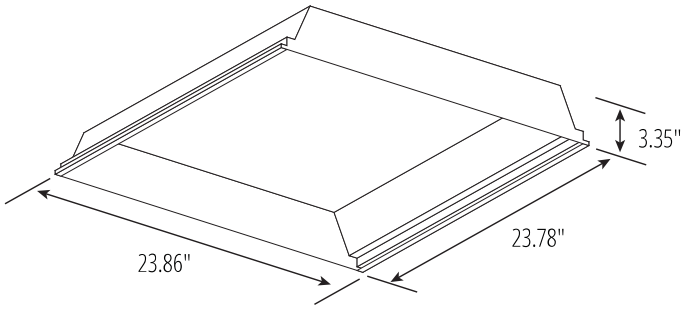
DLC Model# TR22-32NA-00

## Accessories

BB23468 – LED Fixture Battery Back-up



# Venture 2x2 32W LED Troffer



Luminous Intensity Distribution Diagram

