

# ThinStick-LED

NEW

LINEAR

LOW VOLTAGE



## Product Description

### The Next Evolution of the Stick-LED Family

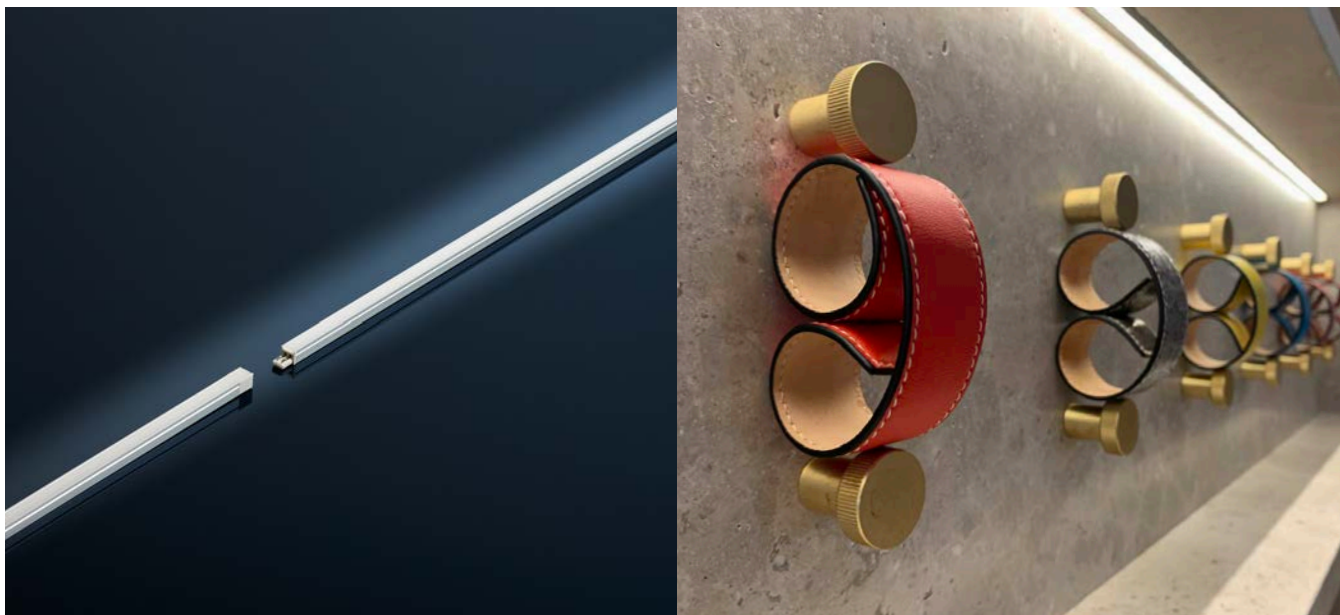
ThinStick-LED is a miniature, modular, linear stick, forged from our flagship best-selling product Stick-LED. It delivers high output illumination without high energy costs, all in a slim, sleek aluminum extrusion that blends away. ThinStick-LED is the perfect solution when you want to shine the light on your products above all else.

## Product Features

- Available sizes:
  - 8" (2 W)
  - 12" (3.4 W)
  - 24" (7 W)
  - 34" (9.6 W)
  - 46" (13 W)
- Available color temperatures:
  - 3000 K
  - 3500 K
  - 4000 K
  - Additional color temperatures (special order)
- Built-in magnetic mounting
- Extremely small dimensions: 5/16" H x 5/16" W
- Interconnect up to 39 W in one run
- Individual runs, including cables not to exceed 18'
- Linear LED with frosted lens
- Can be recessed (flush with board) or surface-mounted
- Extremely high, even light output
- Comes with screw-in mounting clips
- To be used with 24 Vdc Constant Voltage Driver
- EPH certified to NSF/ANSI 2 for use in food zones
- 50,000 hours usable life
- Excellent CRI >94
- Efficacy >93-95 lm/W

## Product Details





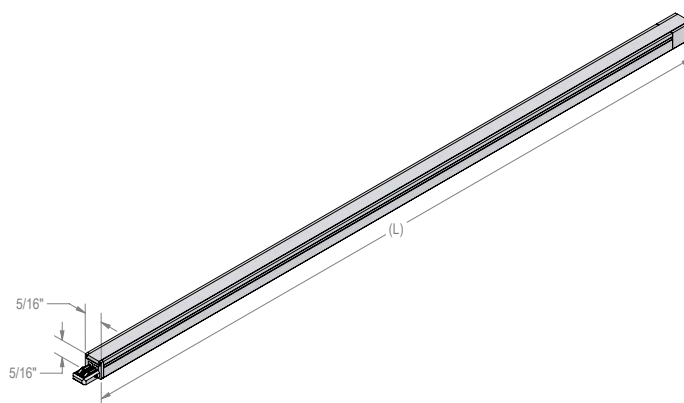
Available Options

Necessary Accessories on Page 38

MODEL	LENGTH	POWER	LIGHT OUTPUT	EFFICACY	CRI	PART NO. (3000 K)	PART NO. (3500 K)	PART NO. (4000 K)
ThinStick-LED	7 7/8"	2 W	190 Lm	95 lm/W	>94	TS/8/3000/M/N	TS/8/3500/M/N	TS/8/4000/M/N
ThinStick-LED	11 13/16"	3.4 W	320 Lm	94 lm/W	>94	TS/12/3000/M/N	TS/12/3500/M/N	TS/12/4000/M/N
ThinStick-LED	22 7/16"	7 W	650 Lm	93 lm/W	>94	TS/24/3000/M/N	TS/24/3500/M/N	TS/24/4000/M/N
ThinStick-LED	34 1/4"	9.6 W	910 Lm	95 lm/W	>94	TS/34/3000/M/N	TS/34/3500/M/N	TS/34/4000/M/N
ThinStick-LED	44 7/8"	13 W	1220 Lm	94 lm/W	>94	TS/46/3000/M/N	TS/46/3500/M/N	TS/46/4000/M/N

Compatible Drivers on Page 36

Dimensions



# Low Voltage Drivers

## Constant Voltage Drivers

### 24 Vdc Drivers



**Daisy Driver, 30W**  
(Full Specs on Page #94)



**Daisy Driver, 75W**  
(Full Specs on Page #95)



**Daisy Driver, 96W**  
(Full Specs on Page #96)



**Driver, 6W**  
(Full Specs on Page #98)



**Driver, 30W**  
(Full Specs on Page #99)



**Driver, 75W**  
(Full Specs on Page #100)



**Driver, 96W**  
(Full Specs on Page #101)

# Compatibility

## Constant Voltage Compatible LEDs

### LINEAR

---

ThinStick-LED

CStick-LED

TapeEven-LED

Curve-LED

TapeUltra-LED

TapeBasic-LED

Stick3-LED

Stick2-LED

StickVE-LED

# Low Voltage Accessories

## ThinStick-LED

### Power Cords

FINISH	LENGTH	PART NO.
White	79"	TS/PC/79/WH/N

### Connecting Cables

FINISH	LENGTH	PART NO.
White	2"	TS/CC/2/WH/N
White	12"	TS/CC/12/WH/N
White	39"	TS/CC/39/WH/N
Black	2"	TS/CC/2/BL/N
Black	12"	TS/CC/12/BL/N

### Optional Accessories

DESCRIPTION	PART NO.
Dimming Module	STICKPSDIM/S
Dimming Controller	DIMCONTROL/S
Y-Cable Adapter	STICKDIM/YCABLE
Remote Control Dimmer	RCPSDIM/V2
Rocker Switch	PS24V/SWITCH
Rocker Switch, DC plug	PS24V/SWITCH/DC
Terminal Block	PS24V/TB
Terminal Block, DC plug	PS24V/TB/DC/S
Terminal Block, DC, Black	PS24V/TB/DC/BL/S
24 V Occupancy Switch	PS24V/SW/OC
Sensor Switch	IRSWITCH/H
Sensor Switch, Dimmable	IRSWITCH/H/D
Power Cord locking clip	CLIP/24V/CCPC

## CStick-LED

### Housing Options

ACCESSORIES	PART NO.
"U" channel, 78"	EXT1
45 Degree channel, 78"	EXT4
Winged "U" channel, 78"	EXT6
NSF "U" channel, 78"	EXT7
Narrow "U" channel, 78"	EXT8
Frosted Lens, 78"	TAPE/B/EXTx/LF/78
Clear Lens, 78"	TAPE/B/EXTx/LC/78
Mounting Clips with screws	TAPE/B/EXTx/MC
Magnetic mounting clips	TAPE/B/EXTx/MC/M
Magnetic Tape	custom

### Optional Accessories

DESCRIPTION	PART NO.
Dimming Module	STICKPSDIM/S
Dimming Controller	DIMCONTROL/S
Y-Cable Adapter	STICKDIM/YCABLE
Remote Control Dimmer	RCPSDIM/V2
Rocker Switch	PS24V/SWITCH
Rocker Switch, DC plug	PS24V/SWITCH/DC
Terminal Block	PS24V/TB
Terminal Block, DC plug	PS24V/TB/DC/S
Terminal Block, DC, Black	PS24V/TB/DC/BL/S
24 V Occupancy Switch	PS24V/SW/OC
Sensor Switch	IRSWITCH/H
Sensor Switch, Dimmable	IRSWITCH/H/D
Power Cord locking clip	CLIP/24V/CCPC