

LEDVANCE LUMINAIRES

DUAL SELECTABLE

UFO 5A

LEDVANCE LUMINAIRE SPECIFICATION DATA

Catalog #	Comments
Project	
Type	
Prepared by	

VALUE CLASS™



APPLICATION

An environmentally preferable alternative to traditional luminaires and offering up to 75% energy savings, the Value Class UFO High Bay 5A is ideal for illuminating warehouses, gymnasiums, and other industrial applications. The dual selectable feature facilitates inventory management and allows customers to customize lighting on site with ease. TAA listing also allows for additional potential on government projects.

BENEFITS & FEATURES

- Lightweight luminaire is designed for easy and safe installation
- Multiple mounting options for a variety of applications: pendant, hook, surface mount
- 90° polycarbonate lens minimizes glare
- Variety of optics — polycarbonate refractor and aluminum reflector available
- Diecast aluminum body with molded heatsink fins ensures heat dissipation and longevity
- Up to 150 LPW
- Selectable CCT: 3500/4000/5000K
- CRI >80
- Selectable wattage: 100/150/200W | 240/280/320W
- Controls Ready: easily accepts LEDVANCE LINK™ DLC approved Networked Lighting Control or standalone controls via screw-in receptacle



ELECTRICAL

- 120-347; 277-480 VAC
- Power Factor > 90%
- THD < 20%
- Dimmable 0-10V
- Constant current LED driver with 6kV surge suppression

OPERATING TEMPERATURE

- -40°F to +122°F (-40°C to +50°C)

RATED LIFE

- 125,000 hours (L₇₀)

CERTIFICATIONS & LISTINGS

- cULus
- RoHS
- FCC
- NSF
- DLC 5.1 Premium
- UL Wet rated
- IP65

WARRANTY

- 5 year
- NLB Trusted Warranty Program

INSTALLATION

- Luminaire can be hung via included hook, can be surface or pendant mounted using optional mounting brackets.
- Aluminum reflector, polycarbonate refractor, and polycarbonate bottoms lens are available.
- Includes 6' power cable and 3' dimming cable.
- Polycarbonate refractor and polycarbonate bottom lens have an IK08 rating.
- Optional wire guards are available
- Unscrew plug in the center of the lens to screw in the optional motion/daylight sensor or Ledvance LINK™ components by hand — no wiring required.

ORDERING GUIDE

UFOHIGHBAY	5A	/ XX	XXX	D	8	SC7	/ XX
PRODUCT NAME	GENERATION	SELECTABLE WATTAGE	VOLTAGE	DIMMING	CRI	SELECTABLE COLOR TEMP	COLOR/ FINISH
UFO = UFO High Bay	5A = Generation 5A	S200 = 100/150/200W S320 = 240/280/320W	UNH = 120-347V HUV = 277-480V	D = 0-10V Dimming	8 = >80 CRI	SC7= 3500/4000/5000K	WH= White BL = Black

ORDERING INFORMATION

ITEM #	ORDERING ABBREVIATION	WATTAGE (W)	INPUT VOLTAGE (V)	DIM.	CRI	COLOR TEMP (CCT)	TOTAL LUMENS (LM)	DLC	LPW	FINISH
62299	UFO5A/S200UNHD8SC7/WH	100/150/200	120-347	0-10V	>80	3500/4000/5000	15,000/22,500/30,000	5.1 Prem*	Up to 150	White
62300	UFO5A/S320UNHD8SC7/WH	240/280/320	120-347	0-10V	>80	3500/4000/5000	36,000/42,000/48,000	5.1 Prem*	Up to 150	White
62301	UFO5A/S200UNHD8SC7/BL	100/150/200	120-347	0-10V	>80	3500/4000/5000	15,000/22,500/30,000	5.1 Prem*	Up to 150	Black
62302	UFO5A/S320UNHD8SC7/BL	240/280/320	120-347	0-10V	>80	3500/4000/5000	36,000/42,000/48,000	5.1 Prem*	Up to 150	Black
66061**	UFO5A/S200HUV8SC7/WH	100/150/200	277-480	0-10V	>80	3500/4000/5000	15,000/22,500/30,000	5.1 Prem*	Up to 150	White
66062	UFO5A/S320HUV8SC7/WH	240/280/320	277-480	0-10V	>80	3500/4000/5000	36,000/42,000/48,000	5.1 Prem*	Up to 150	White
66063	UFO5A/S200HUV8SC7/BL	100/150/200	277-480	0-10V	>80	3500/4000/5000	15,000/22,500/30,000	5.1 Prem*	Up to 150	Black
66064**	UFO5A/S320HUV8SC7/BL	240/280/320	277-480	0-10V	>80	3500/4000/5000	36,000/42,000/48,000	5.1 Prem*	Up to 150	Black

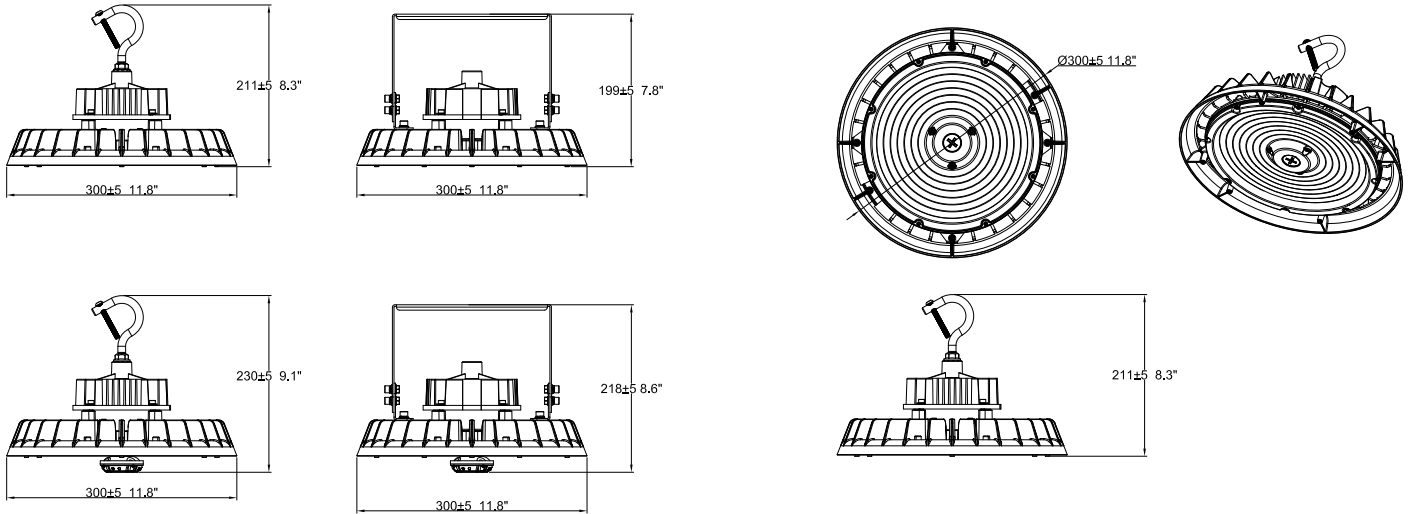
*DLC 5.1 premium pending

**HUV available September 2024

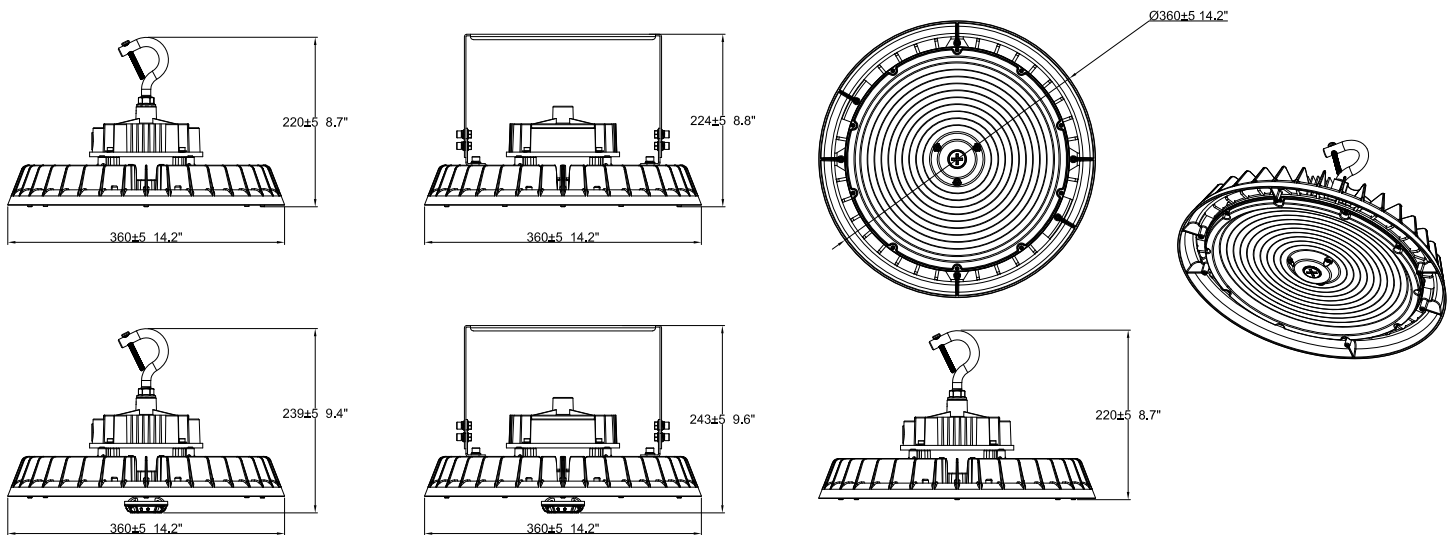
PHYSICAL INFORMATION

DESCRIPTION	DIAMETER IN (MM)	HEIGHT IN (MM)	WEIGHT LB (KG)
200W	11.8 (300)	4.8 (121.92)	5.47 (2.48)
320W	14.2 (360.68)	5 (127)	8.42 (0.82)

200W



400W



ACCESSORIES

ITEM #	ORDERING ABBREVIATION	ITEM DESCRIPTION
65613	UFOHIBA2A/SURFPENDMNT1/WH	White Surface/Pendant Mount Bracket for 200W products
65614	UFOHIBA2A/SURFPENDMNT2/WH	White Surface/Pendant Mount Bracket for 320W products
65702	UFOHIBA2A/SURFPENDMNT1/BL	Black Surface/Pendant Mount Bracket for 200W products
65703	UFOHIBA2A/SURFPENDMNT2/BL	Black Surface/Pendant Mount Bracket for 320W products
65620	UFOHIBA2A/WG1/WH	Wire Guard for 200W products
65621	UFOHIBA2A/WG2/WH	Wire Guard for 320W products
65622	HIGHBAY/MOTIONDAYSENSOR	Field installable Microwave DC Motion/Daylight Sensor, IP65, Max. mounting height 49 ft
62664	HIGHBAY/PIR/MOTIONDAYSENSOR2	Field installable PIR DC Motion/Daylight Sensor, IP65, Max. mounting height 39 ft
65623*	REMOTE/MOTIONDAY/001	Remote Control for Motion/Daylight Sensor — Remote is Required to change default settings
65616	UFOHIBA2A/PC1/90	Polycarbonate Refractor for 200W products, 90° distribution
65617	UFOHIBA2A/PC2/90	Polycarbonate Refractor for 320W products, 90° distribution
61432	UFOHIBA1A/BOTTOMLENS	Polycarbonate bottom lens for use with 65616 or 65617
65618	UFOHIBA2A/AL1/90	Aluminum Reflector for 200W products, 90° distribution
65619	UFOHIBA2A/AL2/90	Aluminum Reflector for 320W products, 90° distribution
61062	EMBB/UFO/40WDC	Field installable 40W emergency battery back-up unit, with integral junction box, providing 5000 lumens of light output for 90 minutes in case of power failure. All units ship with a remote control facilitating the testing of the units**.

*Required to change default settings

**Embb for UNH models only

65613, 65614
65702, 65703 (black)



65620, 65621



61432



65622, 62664



61062



65618, 65619



65616, 65617



65623



OPTIONAL LEDVANCE LINK™ ACCESSORIES

Field Installable components compatible with DUAL SELECTABLE UFO HIGH BAY 5A



BENEFITS & FEATURES

- The LEDVANCE LINK™ Bluetooth® Mesh Low Voltage components use Bluetooth technology for easy and secure wireless communication
- Enables regular LEDVANCE luminaires to become Bluetooth enabled and allows for luminaires to be turned on/off and dimmed (manual or auto)
- The LEDVANCE LINK Controller (62630) and Sensor (62634) require the simple adapter (63652) to screw into the UFO 5A
- Components can be used up to 40ft height
- Control using either the LEDVANCE LINK smart phone App or the wireless wall switch



ORDERING INFORMATION

ITEM #	ORDERING ABBREVIATION	DESCRIPTION
63652	SENSORADAPTOR1A	Sensor adapter for integration of LEDVANCE LINK 3.5mm components to 3-pin sensor sockets
62630*	ADAPTER/AUX12V/BLE	Bluetooth Mesh low voltage controller – BLE enables fixture
62634*	SENSORHB/PIRAUX12V/BLE	Bluetooth Mesh low voltage sensor & controller Bluetooth – BLE enabled daylight/motion sensor
62636	WALLSWITCH5KEYBLE	Bluetooth Mesh Low Voltage 5 Button Switch

*Requires BLE adaptor 63652

Click or scan QR code for more information on LEDVANCE LINK™



COMMISSIONING GUIDE

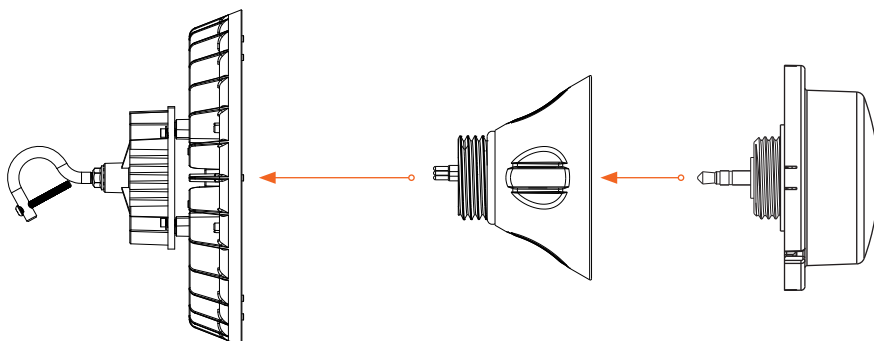


62630



62634

PHYSICAL INFORMATION



WATTAGE COMPARISON

TRADITIONAL SOURCE	TRADITIONAL SYSTEM WATATGE	LED SYSTEM WATTAGE	ENERGY SAVINGS
250W MH	290	100	66%
250W HPS	295	100	66%
250W MH	290	150	48%
250W HPS	295	150	49%
320W MH	370	200	46%
400W HPS	460	200	57%
320W MH	370	200	46%
400W HPS	460	240	48%
400W MH	450	240	47%
750W MH	820	280	66%
750W HPS	840	280	67%
1000W MH	1080	280	74%
1000W HPS	1100	280	75%
750W HPS	840	320	62%
1000W MH	1080	320	70%
1000W HPS	1100	320	71%

LEDVANCE LLC
181 Ballardvale Street, Suite 203
Wilmington, MA 01887 USA
Phone: 1-800-LIGHTBULB (1-800-544-4828)
www.ledvanceUS.com

LEDVANCE is a registered trademark. The Bluetooth® word mark and logos are registered trademarks owned by the Bluetooth SIG, Inc. and any use of such marks by LEDVANCE LLC is under license. All other trademarks are those of their respective owners. Specifications subject to change without notice.



SCAN TO FOLLOW US
ON SOCIAL MEDIA