

LEDVANCE Luminaires

UFO 4A HIGH BAY

VALUE CLASS

Application

An environmentally preferable alternative to traditional luminaires and offering up to 82% energy savings, the VALUE CLASS UFO 4A High Bay is ideal for illuminating warehouses, gymnasiums, and other industrial application.

Benefits and Features

- Lightweight fixture is designed for easy and safe installation
- NSF Splash Zone rated
- Multiple mounting options for a variety of applications – pendant, hook, surface mount
- All fixtures ship with a sensor base and are ready to accept optional, field installable, screw-in motion/daylight sensors with no wiring required – sensor installs in seconds
- Mounting hook included
- 90° polycarbonate front lens minimizes glare
- Variety of optics – polycarbonate refractor and aluminum reflector available
- IP65 rated aluminum body (finish is white or black)
- Up to 170 LPW (200W HE)
- 4000K and 5000K color temperatures
- CRI >80
- Offered in 100, 150, 200 watts and 200W HE (High Efficiency)
- Optional field installable 40W EMBB is available

Electrical

- 120-347 (UNH) V_{AC}
- Power Factor >80%
- THD <20%
- Dimmable (0-10V) dimming down to 10%
- 6kV Surge protection

Rated Life

- 150,000 hours (L₇₀)

Warranty

- 5-year
- NLB Trusted Warranty Program

Certifications and Listings

- cULus
- RoHS
- FCC
- TAA
- NSF
- DLC 5.1 Premium



Wattage Comparison

Traditional Source	Traditional System Wattage	LED System Wattage	Energy Savings
250W MH	290	100	66%
250W HPS	295	100	66%
320W MH	370	150	59%
400W HPS	460	150	67%
400W MH	450	150	67%
750W MH	820	200	76%
750W HPS	840	200	76%
1000W MH	1080	200W HE	81%
1000W HPS	1100	200W HE	82%

Ambient Operating Range

- -40°F to +122°F (-40°C to +50°C)

Installation

- Luminaire can be hung via included hook or can be surface or pendant mounted using optional mounting brackets.
- Includes 6' power cable and 3' dimming cable.
- Aluminum reflector, polycarbonate refractor, and polycarbonate bottoms lens are available.
- Polycarbonate refractor and polycarbonate bottom lens have an IK08 rating.
- Optional wire guards are available
- Field installed sensors: Unscrew plug in the center of the lens to screw in the optional motion/daylight sensor by hand – no wiring required



Catalog #	Type
Project	
Comments	
Prepared by	

Ordering Guide

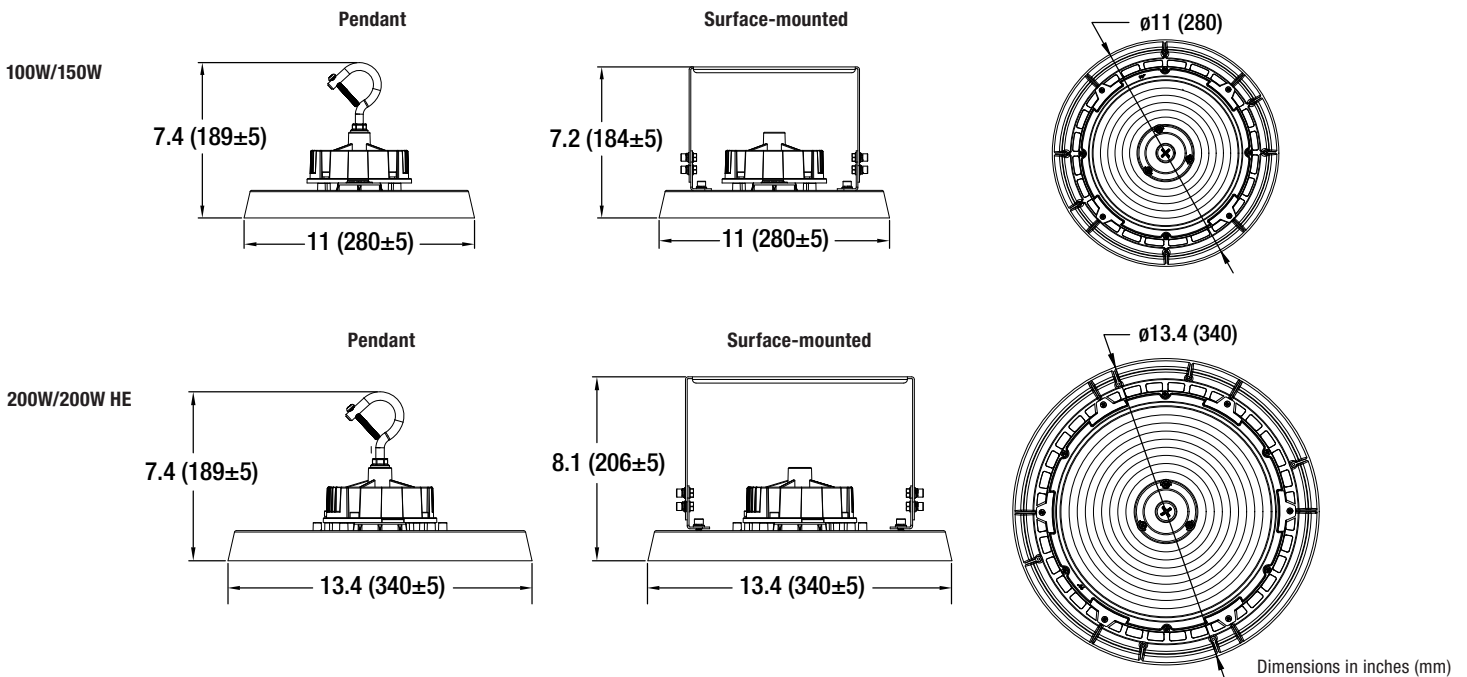
UFOHIBA	4A	/	XXX	UNH	D	8	XX	/	XX
Product Name	Generation		Wattage	Voltage	Dimming	CRI	Color Temp		Color/Finish
UFOHIBA = UFO	4A = Generation 4A		100 = 100W	UNH = 120-347	D = 0-10V	8 = >80	40 = 4000K		WH = White
High Bay			150 = 150W				50 = 5000K		BL = Black
			200 = 200W						
			200HE = 200W						
			High Efficiency						

Ordering Information

Item Number	Ordering Abbreviation	Power (W)	Input Voltage (V)	Dimming	CRI	Color Temp	Total Fixture Lumens (lm)	LPW	DLC
63034	UFOHIBA4A/100UNHD840/WH	100	120-347	0-10V	>80	4000K	14,000	140	5.1 Prm
63035	UFOHIBA4A/100UNHD850/WH	100	120-347	0-10V	>80	5000K	14,300	143	5.1 Prm
63036	UFOHIBA4A/150UNHD840/WH	150	120-347	0-10V	>80	4000K	21,000	140	5.1 Prm
63037	UFOHIBA4A/150UNHD850/WH	150	120-347	0-10V	>80	5000K	21,400	143	5.1 Prm
63038	UFOHIBA4A/200UNHD840/WH	200	120-347	0-10V	>80	4000K	28,000	140	5.1 Prm
63039	UFOHIBA4A/200UNHD850/WH	200	120-347	0-10V	>80	5000K	28,600	143	5.1 Prm
63040	UFOHIBA4A/200HEUNHD840/WH	200	120-347	0-10V	>80	4000K	33,600	168	5.1 Prm
63041	UFOHIBA4A/200HEUNHD850/WH	200	120-347	0-10V	>80	5000K	34,000	170	5.1 Prm
63042	UFOHIBA4A/100UNHD840/BL	100	120-347	0-10V	>80	4000K	14,000	140	5.1 Prm
63043	UFOHIBA4A/100UNHD850/BL	100	120-347	0-10V	>80	5000K	14,300	143	5.1 Prm
63044	UFOHIBA4A/150UNHD840/BL	150	120-347	0-10V	>80	4000K	21,000	140	5.1 Prm
63045	UFOHIBA4A/150UNHD850/BL	150	120-347	0-10V	>80	5000K	21,400	143	5.1 Prm
63046	UFOHIBA4A/200UNHD840/BL	200	120-347	0-10V	>80	4000K	28,000	140	5.1 Prm
63047	UFOHIBA4A/200UNHD850/BL	200	120-347	0-10V	>80	5000K	28,600	143	5.1 Prm
63048	UFOHIBA4A/200HEUNHD840/BL	200	120-347	0-10V	>80	4000K	33,600	168	5.1 Prm
63049	UFOHIBA4A/200HEUNHD850/BL	200	120-347	0-10V	>80	5000K	34,000	170	5.1 Prm

Physical Information

Luminaire Description	Diameter in (mm)	Height (Pendant Mount) in (mm)	Height (Surface Mount) in (mm)
100W/150W	11 (280±5)	7.4 (189 ±5)	7.2 (184±5)
200W/200W HE	13.4 (340±5)	7.4 (189 ±5)	8.1 (206±5)



Accessories

Item Number	Ordering Abbreviation	Item Description
65613	UFOHIBA2A/SURFPENDMNT1/WH	White Surface/Pendant Mount Bracket for 100-150W products
65614	UFOHIBA2A/SURFPENDMNT2/WH	White Surface/Pendant Mount Bracket for 200-200W HE products
65702	UFOHIBA2A/SURFPENDMNT1/BL	Black Surface/Pendant Mount Bracket for 100-150W products
65703	UFOHIBA2A/SURFPENDMNT2/BL	Black Surface/Pendant Mount Bracket for 200-200W HE products
65620	UFOHIBA2A/WG1/WH	Wire guard for 100-150W products
65621	UFOHIBA2A/WG2/WH	Wire guard for 200-200W HE products
65622	HIGHBAY/MOTIONDAYSENSOR	Field installable Microwave DC Motion/Daylight Sensor, IP65, Max. mounting height 49 ft
62664	HIGHBAY/PIR/MOTIONDAYSENSOR2	Field installable PIR DC Motion/Daylight Sensor, IP65, Max. mounting height 39 ft
65623*	REMOTE/MOTIONDAY/001	Remote control for Motion/Daylight Sensor – Remote is Required to change default settings
65616	UFOHIBA2A/PC1/90	Polycarbonate Refractor for 100-150W products, 90° distribution
65617	UFOHIBA2A/PC2/90	Polycarbonate Refractor for 200-200W HE products, 90° distribution
61432	UFOHIBA1A/BOTTOMLENS	Polycarbonate bottom lens for use with 65616 or 65617
65618	UFOHIBA2A/AL1/90	Aluminum Reflector for 100-150W products, 90° distribution
65619	UFOHIBA2A/AL2/90	Aluminum Reflector for 200-200W HE products, 90° distribution
61062	EMBB/UFO/40WDC	Field installable 40W emergency battery back-up unit, with integral junction box, providing 5000 lumens of light output for 90 minutes in case of power failure. All units ship with a remote control facilitating the testing of the units.

*Required to change default settings.



Optional Motion/Daylight Sensor Default Settings*

Detection area	100%
Hold time – Time fixture stays at 100% after last motion before dimming	10 Minutes
Daylight threshold – light level above which light will remain off	50 Lux
Stand-by period – Time light remains dimmed before shutting off	60 Minutes
Stand-by dimming – Dimming level of light during stand-by period	30%

*The default settings can only be changed using the optional remote 65623.

LEDVANCE LLC
181 Ballardvale Street, Suite 203
Wilmington, MA 01887 USA
Phone 1-800-LIGHTBULB (1-800-544-4828)
www.ledvanceUS.com

SYLVANIA and LEDVANCE are registered trademarks.
All other trademarks are those of their respective owners.
Licensee of product trademark SYLVANIA in general lighting.
Specifications subject to change without notice.

