

LEDVANCE Luminaires

UFO HIGH BAY 4A

VALUE CLASS

Application

An environmentally preferable alternative to traditional luminaires and offering up to 82% energy savings, the VALUE CLASS UFO HIGH BAY 4A is ideal for illuminating warehouses, gymnasiums, and other industrial application.

Benefits and Features

- Lightweight fixture is designed for easy and safe installation
- NSF Splash Zone rated
- Multiple mounting options for a variety of applications – pendant, hook, surface mount
- All fixtures ship with a sensor base and are ready to accept optional, field installable, screw-in motion/daylight sensors with no wiring required – sensor installs in seconds
- Mounting hook included
- 90° polycarbonate front lens minimizes glare
- Variety of optics – polycarbonate refractor and aluminum reflector available
- IP65 rated aluminum body (finish is white or black)
- Up to 170 LPW (200W HE)
- 4000K and 5000K color temperatures
- CRI >80
- Offered in 100, 150, 200 watts and 200W HE (High Efficiency)
- Optional field installable 40W EMBB is available
- Compatible with field installable LEDVANCE LINK™ components

Electrical

- 120-347 (UNH) V_{AC}
- Power Factor >90%
- THD <20%
- Dimmable (0-10V) dimming down to 10%
- 6kV Surge protection

Rated Life

- 150,000 hours (L₇₀)

Warranty

- 5-year
- NLB Trusted Warranty Program



Wattage Comparison

Traditional Source	Traditional System Wattage	LED System Wattage	Energy Savings
250W MH	290	100	66%
250W HPS	295	100	66%
320W MH	370	150	59%
400W HPS	460	150	67%
400W MH	450	150	67%
750W MH	820	200	76%
750W HPS	840	200	76%
1000W MH	1080	200W HE	81%
1000W HPS	1100	200W HE	82%

Ambient Operating Range

- -40°F to +122°F (-40°C to +50°C)

Certifications and Listings

- cULus
- RoHS
- FCC
- UL Wet Rated
- NSF
- NEMA 4X
- DLC 5.1 Premium



Catalog #	Type
Project	
Comments	
Prepared by	

Ordering Guide

UFOHIBA	4A	/	XXX	UNH	D	8	XX	/	XX	XXX
Product Name	Generation		Wattage	Voltage	Dimming	CRI	Color Temp		Color/Finish	Options
UFOHIBA = UFO	4A = Generation 4A		100 = 100W 150 = 150W 200 = 200W 200HE = 200W High Efficiency	UNH = 120-347	D = 0-10V	8 = >80	40 = 4000K 50 = 5000K		WH = White BL = Black	L5P = 120V Plug L7P = 277V Plug DER = Sensor and Emergency Ready*

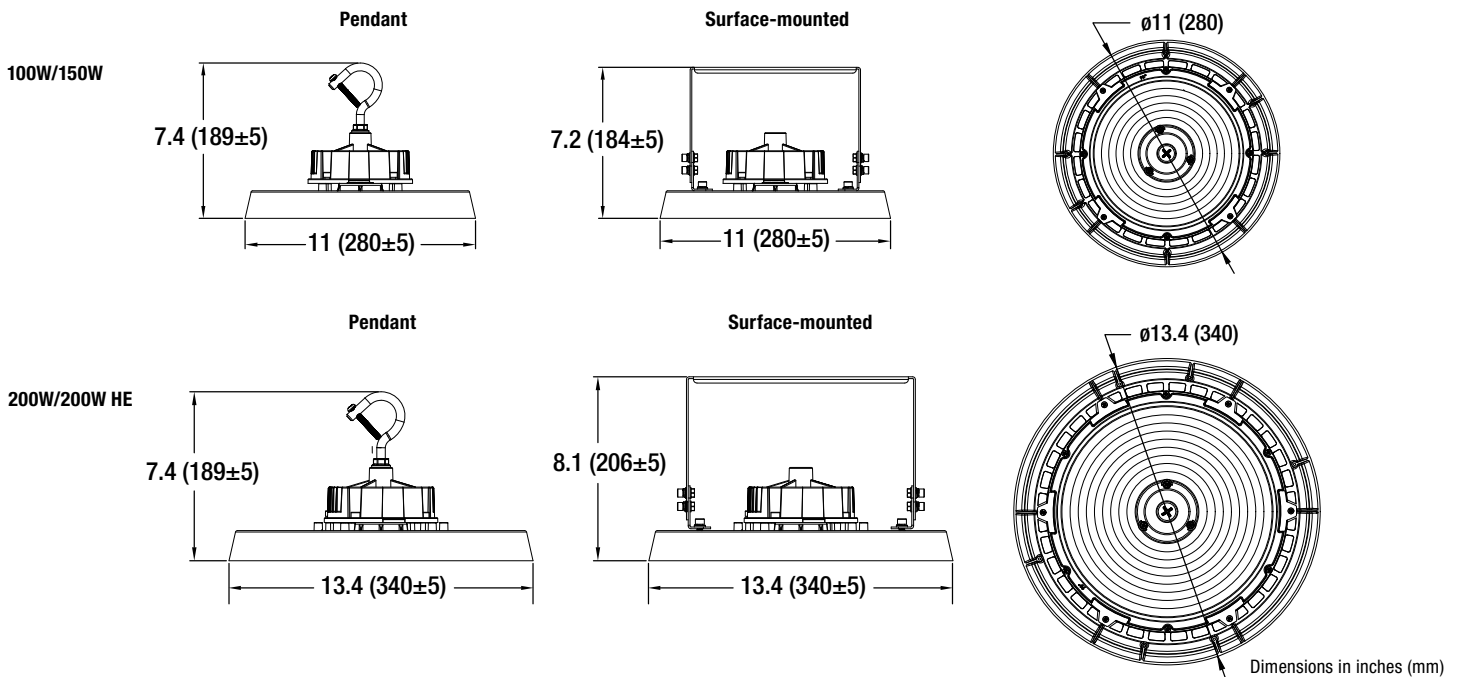
*Must order this version if using both the sensor and the EMBB

Ordering Information

Item Number	Ordering Abbreviation	Power (W)	Input Voltage (V)		Dimming	CRI	Color Temp	Total Fixture Lumens (lm)		LPW	DLC	Finish	Options
63034	UFOHIBA4A/100UNHD840/WH	100	120-347	0-10V	>80	4000K	14,000	140	5.1 Prm	White	-		
63035	UFOHIBA4A/100UNHD850/WH	100	120-347	0-10V	>80	5000K	14,300	143	5.1 Prm	White	-		
63036	UFOHIBA4A/150UNHD840/WH	150	120-347	0-10V	>80	4000K	21,000	140	5.1 Prm	White	-		
63037	UFOHIBA4A/150UNHD850/WH	150	120-347	0-10V	>80	5000K	21,400	143	5.1 Prm	White	-		
63038	UFOHIBA4A/200UNHD840/WH	200	120-347	0-10V	>80	4000K	28,000	140	5.1 Prm	White	-		
63039	UFOHIBA4A/200UNHD850/WH	200	120-347	0-10V	>80	5000K	28,600	143	5.1 Prm	White	-		
63040	UFOHIBA4A/200HEUNHD840/WH	200	120-347	0-10V	>80	4000K	33,600	168	5.1 Prm	White	-		
63041	UFOHIBA4A/200HEUNHD850/WH	200	120-347	0-10V	>80	5000K	34,000	170	5.1 Prm	White	-		
63042	UFOHIBA4A/100UNHD840/BL	100	120-347	0-10V	>80	4000K	14,000	140	5.1 Prm	Black	-		
63043	UFOHIBA4A/100UNHD850/BL	100	120-347	0-10V	>80	5000K	14,300	143	5.1 Prm	Black	-		
63044	UFOHIBA4A/150UNHD840/BL	150	120-347	0-10V	>80	4000K	21,000	140	5.1 Prm	Black	-		
63045	UFOHIBA4A/150UNHD850/BL	150	120-347	0-10V	>80	5000K	21,400	143	5.1 Prm	Black	-		
63046	UFOHIBA4A/200UNHD840/BL	200	120-347	0-10V	>80	4000K	28,000	140	5.1 Prm	Black	-		
63047	UFOHIBA4A/200UNHD850/BL	200	120-347	0-10V	>80	5000K	28,600	143	5.1 Prm	Black	-		
63048	UFOHIBA4A/200HEUNHD840/BL	200	120-347	0-10V	>80	4000K	33,600	168	5.1 Prm	Black	-		
63049	UFOHIBA4A/200HEUNHD850/BL	200	120-347	0-10V	>80	5000K	34,000	170	5.1 Prm	Black	-		
65942	UFOHIBA4A/100UNHD840/BL/L5P	100	120-347	0-10V	>80	4000K	14,000	140	5.1 Prm	Black	120V Plug		
65943	UFOHIBA4A/100UNHD850/BL/L5P	100	120-347	0-10V	>80	5000K	14,300	143	5.1 Prm	Black	120V Plug		
65944	UFOHIBA4A/150UNHD840/BL/L5P	150	120-347	0-10V	>80	4000K	21,000	140	5.1 Prm	Black	120V Plug		
65945	UFOHIBA4A/150UNHD850/BL/L5P	150	120-347	0-10V	>80	5000K	21,400	143	5.1 Prm	Black	120V Plug		
65946	UFOHIBA4A/200UNHD840/BL/L5P	200	120-347	0-10V	>80	4000K	28,000	140	5.1 Prm	Black	120V Plug		
65947	UFOHIBA4A/200UNHD850/BL/L5P	200	120-347	0-10V	>80	5000K	28,600	143	5.1 Prm	Black	120V Plug		
65948	UFOHIBA4A/200HEUNHD840/BL/L5P	200	120-347	0-10V	>80	4000K	33,600	168	5.1 Prm	Black	120V Plug		
65949	UFOHIBA4A/200HEUNHD850/BL/L5P	200	120-347	0-10V	>80	5000K	34,000	170	5.1 Prm	Black	120V Plug		
65950	UFOHIBA4A/100UNHD840/WH/L5P	100	120-347	0-10V	>80	4000K	14,000	140	5.1 Prm	White	120V Plug		
65951	UFOHIBA4A/100UNHD850/WH/L5P	100	120-347	0-10V	>80	5000K	14,300	143	5.1 Prm	White	120V Plug		
65952	UFOHIBA4A/150UNHD840/WH/L5P	150	120-347	0-10V	>80	4000K	21,000	140	5.1 Prm	White	120V Plug		
65953	UFOHIBA4A/150UNHD850/WH/L5P	150	120-347	0-10V	>80	5000K	21,400	143	5.1 Prm	White	120V Plug		
65954	UFOHIBA4A/200UNHD840/WH/L5P	200	120-347	0-10V	>80	4000K	28,000	140	5.1 Prm	White	120V Plug		
65955	UFOHIBA4A/200UNHD850/WH/L5P	200	120-347	0-10V	>80	5000K	28,600	143	5.1 Prm	White	120V Plug		
65956	UFOHIBA4A/200HEUNHD840/WH/L5P	200	120-347	0-10V	>80	4000K	33,600	168	5.1 Prm	White	120V Plug		
65957	UFOHIBA4A/200HEUNHD850/WH/L5P	200	120-347	0-10V	>80	5000K	34,000	170	5.1 Prm	White	120V Plug		
65958	UFOHIBA4A/100UNHD840/BL/L7P	100	120-347	0-10V	>80	4000K	14,000	140	5.1 Prm	Black	277V Plug		
65959	UFOHIBA4A/100UNHD850/BL/L7P	100	120-347	0-10V	>80	5000K	14,300	143	5.1 Prm	Black	277V Plug		
65960	UFOHIBA4A/150UNHD840/BL/L7P	150	120-347	0-10V	>80	4000K	21,000	140	5.1 Prm	Black	277V Plug		
65961	UFOHIBA4A/150UNHD850/BL/L7P	150	120-347	0-10V	>80	5000K	21,400	143	5.1 Prm	Black	277V Plug		
65962	UFOHIBA4A/200UNHD840/BL/L7P	200	120-347	0-10V	>80	4000K	28,000	140	5.1 Prm	Black	277V Plug		
65963	UFOHIBA4A/200UNHD850/BL/L7P	200	120-347	0-10V	>80	5000K	28,600	143	5.1 Prm	Black	277V Plug		
65964	UFOHIBA4A/200HEUNHD840/BL/L7P	200	120-347	0-10V	>80	4000K	33,600	168	5.1 Prm	Black	277V Plug		
65965	UFOHIBA4A/200HEUNHD850/BL/L7P	200	120-347	0-10V	>80	5000K	34,000	170	5.1 Prm	Black	277V Plug		
65966	UFOHIBA4A/100UNHD840/WH/L7P	100	120-347	0-10V	>80	4000K	14,000	140	5.1 Prm	White	277V Plug		
65967	UFOHIBA4A/100UNHD850/WH/L7P	100	120-347	0-10V	>80	5000K	14,300	143	5.1 Prm	White	277V Plug		
65968	UFOHIBA4A/150UNHD840/WH/L7P	150	120-347	0-10V	>80	4000K	21,000	140	5.1 Prm	White	277V Plug		
65969	UFOHIBA4A/150UNHD850/WH/L7P	150	120-347	0-10V	>80	5000K	21,400	143	5.1 Prm	White	277V Plug		
65970	UFOHIBA4A/200UNHD840/WH/L7P	200	120-347	0-10V	>80	4000K	28,000	140	5.1 Prm	White	277V Plug		
65971	UFOHIBA4A/200UNHD850/WH/L7P	200	120-347	0-10V	>80	5000K	28,600	143	5.1 Prm	White	277V Plug		
65972	UFOHIBA4A/200HEUNHD840/WH/L7P	200	120-347	0-10V	>80	4000K	33,600	168	5.1 Prm	White	277V Plug		
65973	UFOHIBA4A/200HEUNHD850/WH/L7P	200	120-347	0-10V	>80	5000K	34,000	170	5.1 Prm	White	277V Plug		
66606	UFOHIBA4A/100UNHD840/WH/DER	100	120-347	0-10V	>80	4000K	14,000	140	5.1 Prm	White	Sensor and Emergency ready		

Physical Information

Luminaire Description	Diameter in (mm)	Height (Pendant Mount) in (mm)	Height (Surface Mount) in (mm)	Weight lbs (kg)
100W/150W	11 (280±5)	7.4 (189 ±5)	7.2 (184±5)	5.3 (2.4)
200W/200W HE	13.4 (340±5)	7.4 (189 ±5)	8.1 (206±5)	6.6 (3.0)



Accessories

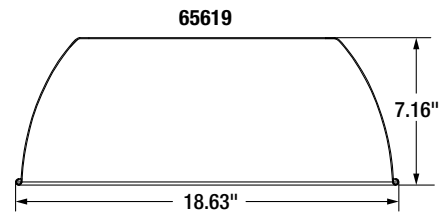
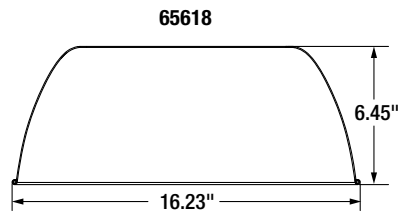
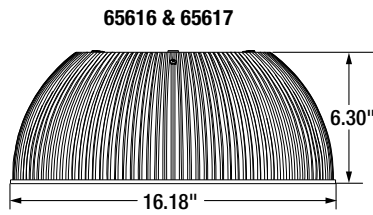
Item Number	Ordering Abbreviation	Item Description
65613	UFOHIBA2A/SURFPENDMNT1/WH	White Surface/Pendant Mount Bracket for 100-150W products
65614	UFOHIBA2A/SURFPENDMNT2/WH	White Surface/Pendant Mount Bracket for 200-200W HE products
65702	UFOHIBA2A/SURFPENDMNT1/BL	Black Surface/Pendant Mount Bracket for 100-150W products
65703	UFOHIBA2A/SURFPENDMNT2/BL	Black Surface/Pendant Mount Bracket for 200-200W HE products
65620	UFOHIBA2A/WG1/WH	Wire guard for 100-150W products
65621	UFOHIBA2A/WG2/WH	Wire guard for 200-200W HE products
65622	HIGHBAY/MOTIONDAYSENSOR	Field installable Microwave DC Motion/Daylight Sensor, IP65, Max. mounting height 49 ft
62664	HIGHBAY/PIR/MOTIONDAYSENSOR2	Field installable PIR DC Motion/Daylight Sensor, IP65, Max. mounting height 39 ft
65623*	REMOTE/MOTIONDAY/001	Remote control for Motion/Daylight Sensor – Remote is Required to change default settings
65616	UFOHIBA2A/PC1/90	Polycarbonate Refractor for 100-150W products, 90° distribution
65617	UFOHIBA2A/PC2/90	Polycarbonate Refractor for 200-200W HE products, 90° distribution
61432	UFOHIBA1A/BOTTOMLENS	Polycarbonate bottom lens for use with 65616 or 65617
65618	UFOHIBA2A/AL1/90	Aluminum Reflector for 100-150W products, 90° distribution
65619	UFOHIBA2A/AL2/90	Aluminum Reflector for 200-200W HE products, 90° distribution
61062	EMBB/UFO/40WDC	Field installable 40W emergency battery back-up unit, with integral junction box, providing 5600-6800 lumens (based on LPW) of light output for 90 minutes in case of power failure. All units ship with a remote control facilitating the testing of the units.
63882	UFO/JUNCTIONBOX/GRAY	UFO Junction Box, Gray; Hook, 1/2", or 3/4" conduit mount; required if adding a longer cord

*Required to change default settings.

Installation

- Luminaire can be hung via included hook or can be surface or pendant mounted using optional mounting brackets.
- Includes 6' power cable and 3' dimming cable.
- Aluminum reflector, polycarbonate refractor, and polycarbonate bottoms lens are available.
- Polycarbonate refractor and polycarbonate bottom lens have an IK08 rating.
- Optional wire guards are available
- Field installed sensors: Unscrew plug in the center of the lens to screw in the optional motion/daylight sensor by hand
 - no wiring required

Accessories (continued)



See page 5 for optional LEDVANCE LINK™ Accessories

Optional Motion/Daylight Sensor Default Settings*

Detection area	100%
Hold time – Time fixture stays at 100% after last motion before dimming	10 Minutes
Daylight threshold – light level above which light will remain off	50 Lux
Stand-by period – Time light remains dimmed before shutting off	60 Minutes
Stand-by dimming – Dimming level of light during stand-by period	30%

*The default settings can only be changed using the optional remote 65623.

Optional LEDVANCE LINK™ Accessories

Field Installable components compatible with UFO HIGH BAY 4A



Benefits and Features

- The LEDVANCE LINK™ Bluetooth® Mesh Low Voltage components use Bluetooth® technology for easy and secure wireless communication
- Enables regular LEDVANCE luminaires to become Bluetooth® enabled and allows for luminaires to be turned on/off and dimmed (manual or auto)
- The LEDVANCE LINK™ Controller (62630) and Sensor (62634) require the simple adapter (75943) to screw into the UFO HIGH BAY 4A
- Components can be used up to 40ft height
- Control using either the LEDVANCE LINK™ app or the wireless wall controller

Ordering Information

Item Number	Ordering Abbreviation	Description
62634*	SENSORHB/PIRAUX12V/BLE	Bluetooth® Mesh low voltage sensor & controller Bluetooth® – BLE enabled daylight/motion sensor
75913	SENSOR2ODPIR3.5BLEBLK	Outdoor Bluetooth® Low Energy Mesh PIR sensor with controller, Plug & Play, 3.5mm AUX, Black
62630*	ADAPTER/AUX12V/BLE	Bluetooth® Mesh low voltage controller – BLE enabled fixture
75943	ADAPTER3P3.5SC	Sensor adapter for integration of LEDVANCE LINK™ 3.5mm components to 3-pin sensor sockets
75944	ADAPTER3P3.5SCBK	LINK™ 3-PIN to 3.5mm Adapter, Black
62636	WALLSWITCH5KEYBLE	Bluetooth® Mesh 5-button controller — battery operated

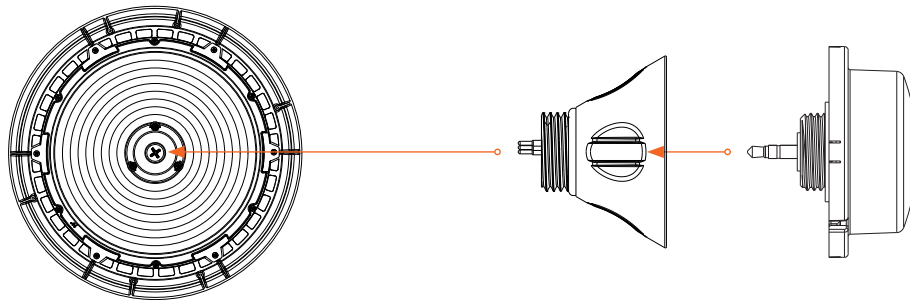
*Requires BLE adapter 75943



Click or scan QR code for more information on LEDVANCE LINK™



Physical Information



LEDVANCE LLC
 181 Ballardvale Street, Suite 203
 Wilmington, MA 01887 USA
 Phone 1-800-LIGHTBULB (1-800-544-4828)
 www.ledvanceUS.com

LEDVANCE is a registered trademark. The Bluetooth® word mark and logos are registered trademarks owned by the Bluetooth SIG, Inc. and any use of such marks by LEDVANCE LLC is under license. All other trademarks are those of their respective owners. Specifications subject to change without notice.



SCAN TO FOLLOW US ON SOCIAL MEDIA

