

USHIO

METAL HALIDE LAMPS

EUROFLOOD™ DOUBLE ENDED



COMPACT METAL HALIDE LAMPS FOR GENERAL LIGHTING

USHIO Euroflood™ series of compact Metal Halide lamps use a sodium/scandium iodide chemical mixture which maximizes light output and ensures color stability while at the same time achieving excellent life characteristics and good color rendering.

The compact size provides versatility in fixture selection — from industrial and large areas to more compact display lighting applications. The Euroflood™ series offers design flexibility where high light density is desired.

Available in 75W, 150W and 250W with color temperatures ranging from 3000K – 5200K

FEATURES & BENEFITS

- Long life — 10,000 hours average life
- High color stability over entire life time
- High efficacy — 80 lm/W luminous output
- Excellent color rendering — 80 CRI
- UV Protection — protects textiles and plastics
- Compact tubular design



Euroflood™ Metal Halide lamps are manufactured under ISO 9001 guidelines ensuring quality and security for the purchaser

APPLICATIONS

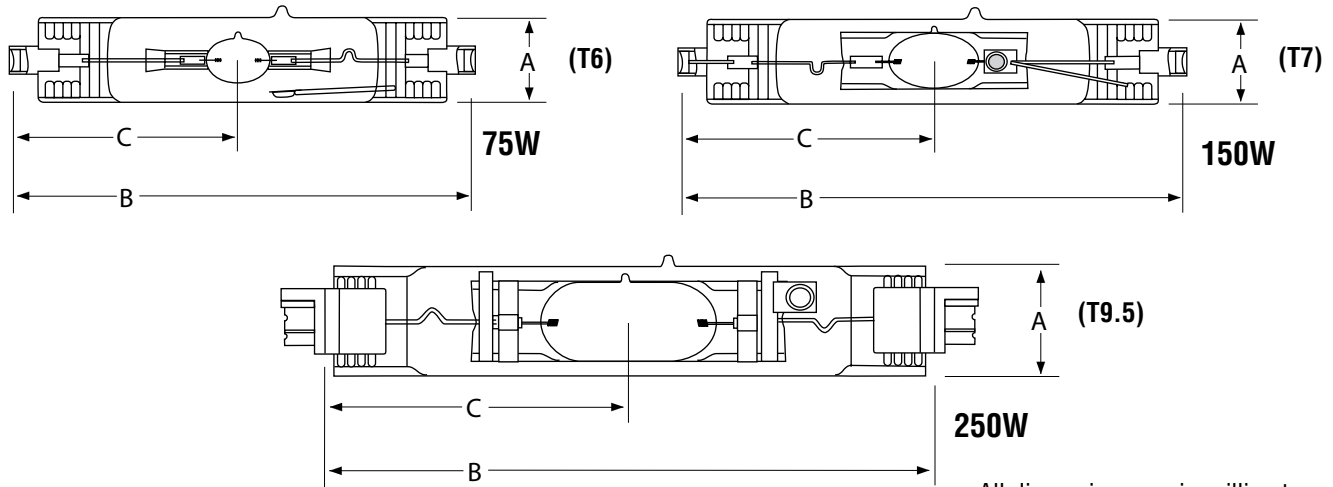
- Window Displays and Showrooms
- Museums and Galleries
- Landscape Lighting
- Lobbies, Hotels, Restaurants
- Athletic Fields, Arenas
- Exhibition Halls
- Floodlighting
- Wall Washing
- Aquariums (5200K)

Distributed by:

USHIO

CHARACTERISTICS & SPECIFICATIONS

EUROFLOOD™ RX7s & FC2 Base



All dimensions are in millimeters

Watts (W)	Ushio Ordering Code	Ushio Lamp Description	Lamp Current (A)	Luminous Flux (lm)	Color Temp (K)	Dia (A)	Dimensions			Arc Gap	Ballast
							C-to-C (B)	LCL (C)			
DOUBLE ENDED — RX7s Base											
75	5000194	UHI-70DW/UVP	0.9	6000	3000	20	114.2	57.0	8.5	M85/E	
75	5000192	UHI-70DM/UVP	0.9	6000	4200	20	114.2	57.0	8.5	M85/E	
150	5000184	UHI-150DW/UVP	1.8	12000	3000	23	132.0	66.0	18.0	M81/E	
150	5000180	UHI-150DL/UVP	1.8	12000	3500	23	132.0	66.0	18.0	M81/E	
150	5000182	UHI-150DM/UVP	1.8	12000	4200	23	132.0	66.0	18.0	M81/E	
150	5000178	UHI-150DD/UVP	1.8	11000	5200	23	132.0	66.0	18.0	M81/E	
DOUBLE ENDED — FC2 Base											
250	5000188	UHI-250DM/UVP	3.0	20000	4200	25	139.0	69.5	24.0	M80/E	

/E = Enclosed fixture required

Burn Position: Horizontal $\pm 45^\circ$

Recommended Ignition Voltage: 4kV

Average life: 10,000 hours

Lamp should be switched off for at least 15 minutes/week

Lamp Code Suffix Designation:

DW = Warm White

DL = Brilliant White

DM = Cool White

DD = Daylight

/UVP = UV-absorbing quartz glass

Case quantity: 12/case

(Hg) - LAMP CONTAINS MERCURY

Manage in Accord with Disposal Laws

See: www.lamprecycle.org or 1-800-895-8842

R - NON SELF-EXTINGUISHING LAMP

WARNING: This lamp can cause serious skin burn and eye inflammation from shortwave ultraviolet radiation if outer envelope of the lamp is broken or punctured. Do not use where people will remain for more than a few minutes unless adequate shielding or other safety precautions are used. Lamps that will automatically extinguish when the outer envelope is broken or punctured are commercially available. Complies with the USA Federal Standard 21 CFR 1040.30 and Canada Standard SOR/80-381.

Form No. S-UHI/DE/R-1013

The specifications on this sheet supersede all previously published specifications and may be subject to change for design and specification improvement without prior notice.



Scan with a smartphone to view this product online.