

DATE

PROJECT

TYPE

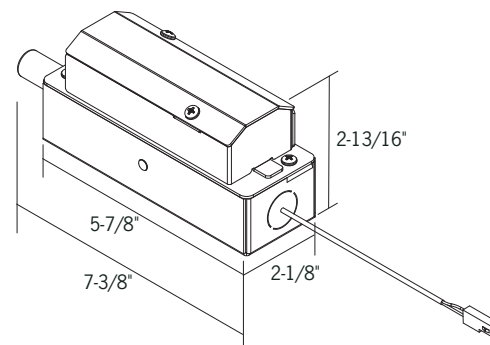
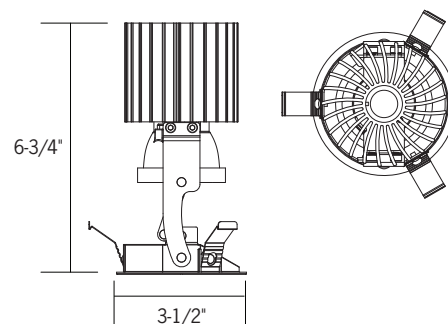
R2ARM | 2" LED Adjustable Recessed Downlight: Remodel

	R2ANC05	R2ANC1	R2ANC2	R2ANC3
WATTAGE	8W	10W	14W	21W
LUMEN OUTPUT ¹	800Lm	1000Lm	1300Lm	1700Lm
BEAM SPREAD	14° Spot/26° Medium/33° Flood			
COLOR TEMPERATURE	2700K, 3000K, 3500K, 4000K, 3000K Crisp White (90+ CRI)			
CRI	83 (80min)/90+			
SYSTEM RATING	50,000 Hours @ 70% Lumen Maintenance			
INPUT WATTAGE	8W	10W	14W	21W
INPUT CURRENT (A) 120/277	.07/.03	.08/.04	.12/.05	.18/.08
INPUT VOLTAGE	Standard Driver 120-277V AC, 50/60Hz			
Lutron EcoSystem® Dimming	120-277V AC, 50/60Hz			
DRIVER POWER FACTOR	> 0.90			
TOTAL HARMONIC DISTORTION (THD)	< 20%			
LISTINGS	cCSAus Certified using U.S. (UL) and Canadian (CSA) Standards. Suitable for damp locations. R2ARM1 and R2ARM2 Series with 26° (M) and 33° (F) beam distributions are ENERGY STAR® Certified when used with C2302, C2304, C2302SQ, and C2304SQ trims Lutron Dimming and Crisp White LED options are not ENERGY STAR® Certified Assembled in the USA			
WARRANTY	Five (5) year replacement after date of purchase			

1. Lumen values are approximate, see photometric test results



Ceiling Opening: 3-1/4"
Ceiling Thickness: 1/2" - 1-1/2"



DATE

PROJECT

TYPE

R2ARM | 2" LED Adjustable Recessed Downlight: Remodel

ORDERING INFORMATION

Driver Kit + Module + Trim = Complete System

Example Order	Driver Kit:	<input type="text" value="R2ARM112D3"/>
	Module:	<input type="text" value="UMOD30KS"/>
	Trim:	<input type="text" value="C2302-CLR"/>

Driver Kit

Driver Kit	LED Series	Electrical/Dimming
R2ARM - Remodel Driver Kit	05 - 8W/800lm 1 - 10W/1000lm 2 - 14W/1300lm 3 - 21W/1700lm	12D - 120V Triac, ELV and 0-10V Dimming 27D - 277V 0-10V Dimming ONLY 12D4 - 120V Lutron Hi-lume 1% EcoSystem LED Driver with Soft-on, Fade-to-Black 27D4 - 277V Lutron Hi-lume 1% EcoSystem LED Driver with Soft-on, Fade-to-Black

LED Module

LED Module	Color Temp/CRI	Beam Distribution
UMOD - 2" Universal LED Module	83 (80min) CRI 27K - 2700K 30K - 3000K 35K - 3500K 40K - 4000K	90+ CRI 27KC - 2700K 30KC - 3000K 35KC - 3500K 40KC - 4000K
	90+ Crisp White 30KW - 3000K	S - 14° Spot M - 26° Medium F - 33° Flood

Replacement Optics

- 2INOPTIC-S** - Spot Beam Replacement Optic
- 2INOPTIC-M** - Medium Beam Replacement Optic
- 2INOPTIC-F** - Flood Beam Replacement Optic

Module Accessories

- FA-47** - Black Accessory Holder Clip; Accepts Two (2) Media
- R2ASNR1-B** - Dual Ring Snoot 60MM OD X 1" Long, Black, FA-47 Required
- FA-16 60MM** - Honeycomb Louver, FA-47 Required
- LF16-** 60MM** - 2-3/8" Diameter Lenses, FA-47 Required

**Color/Pattern Legend

- 73** (Spread Lens), **-LS** (Linear Spread Lens), **-SL** (Soft Light), **-SOL** (Solite), **-UV** (Optivex UV Filter)
- A** (Amber), **-B** (Blue), **-CL** (Clear), **-DPE** (Dichroic Peach), **-G** (Green), **-LB** (Light Blue), **-R** (Red), **-RO** (Rose), **-Y** (Yellow)

DATE

PROJECT

TYPE

R2ARM | 2" LED Adjustable Recessed Downlight: Remodel

Trims

Note: R2A and R2RM Series trims are NOT compatible with each other.



C2302-CLR*

Clear Full Cone Reflector



C2302-PL*

Platinum Full Cone Reflector



C2304WL-CLR*

Clear Angle Cut Reflector



C2304WL-PL*

Platinum Angle Cut Reflector



C2302-BLK

Black Full Cone Reflector



C2302-WHT

White Full Cone Reflector



C2304WL-BLK

Black Angle Cut Reflector



C2304WL-WHT

White Angle Cut Reflector

C2302 Series

Full Cone Reflector

OD: 3-5/8"; ID: 2-5/8"

Specification Grade Full Cone Reflector Trim. Wet location certified when used with an LF16 60MM lens. Accepts one (1) FA-16 60MM 2-3/8" Dia. Black Honeycomb Louver or (1) LF16 60MM 2-3/8" Dia. Tempered Glass Lens.

*Available with White Painted Flange, add -WPF to part number



C2304 Series

Wet Location Angle Cut Reflector

OD: 3-5/8"; ID: 2-5/8"

Specification Grade Angle Cut Reflector Trim. Clear glass lens provides wet location certification.

*Available with White Painted Flange, add -WPF to part number



C2304-CLR*

Clear Angle Cut Reflector



C2304-PL*

Platinum Angle Cut Reflector



C2304-BLK

Black Angle Cut Reflector



C2304-WHT

White Angle Cut Reflector



C2305-BLK

Black Pinhole Trim



C2305-WHT

White Pinhole Trim

C2304 Series

Angle Cut Reflector

OD: 3-5/8"; ID: 2-5/8"

Specification Grade Angle Cut Reflector Trim.

*Available with White Painted Flange, add -WPF to part number

C2305 Series

Pinhole Trim

Aperture: 1-1/2" Dia.; O.D.: 3-5/8"

DATE

PROJECT

TYPE

R2ARM | 2" LED Adjustable Recessed Downlight: Remodel

Trims

Note: R2A and R2RM Series trims are NOT compatible with each other.



C2302SQ-CLR-(B,P)

Clear Full Cone Reflector
Black or White Square Trim Plate



C2302SQ-PL-(B,P)

Platinum Full Cone Reflector
Black or White Square Trim Plate



C2304SQWL-CLR-(B,P)

Clear Angle Cut Reflector
Black or White Square Trim Plate



C2304SQWL-PL-(B,P)

Platinum Angle Cut Reflector
Black or White Square Trim Plate



C2302SQ-BLK-(B,P)

Black Full Cone Reflector
Black or White Square Trim Plate



C2302SQ-WHT-(B,P)

White Full Cone Reflector
Black or White Square Trim Plate



C2304SQWL-BLK-(B,P)

Black Angle Cut Reflector
Black or White Square Trim Plate



C2304SQWL-WHT-(B,P)

White Angle Cut Reflector
Black or White Square Trim Plate

C2302SQ Series

Full Cone Reflector with Square Trim Plate

SQ: 3-5/8"; ID: 2-5/8"

Specification Grade Full Cone Reflector Trim with Square Trim Plate. Wet location certified when used with an LF16 60MM 2-3/8" dia. glass lens. Accepts one (1) FA-16 60MM 2-3/8" dia. Black Honeycomb Louver or (1) LF16 60MM 2-3/8" dia. Tempered Glass Lens.



C2304SQWL Series

Wet Location Angle Cut Reflector with Square Trim Plate

SQ: 3-5/8"; ID: 2-5/8"

Specification Grade Angle Cut Reflector Trim with Square Trim Plate. Clear glass lens provides wet location certification.



C2304SQ-CLR-(B,P)

Clear Angle Cut Reflector
Black or White Square Trim Plate



C2304SQ-PL-(B,P)

Platinum Angle Cut Reflector
Black or White Square Trim Plate



C2304SQ-BLK-(B,P)

Black Angle Cut Reflector
Black or White Square Trim Plate



C2304SQ-WHT-(B,P)

White Angle Cut Reflector
Black or White Square Trim Plate



C2305SQ-BLK

Black Pinhole Trim



C2305SQ-WHT

White Pinhole Trim

C2304SQ Series

Angle Cut Reflector with Square Trim Plate

SQ: 3-5/8"; ID: 2-5/8"

Specification Grade Angle Cut Reflector Trim with Square Trim Plate.

C2305SQ Series

Pinhole Trim with Square Trim Plate

Aperture: 1-1/2" Dia.; SQ: 3-5/8"

DATE

PROJECT

TYPE

R2ARM | 2" LED Adjustable Recessed Downlight: Remodel

Product Details

Construction

- Housing requires minimum 3" clearance around driver kit from insulation material; thermal protection provided in case of improper insulation use
- 16-Gauge galvanized steel driver kit
- Driver kit housing utilizes a spring latch tether to provide secondary support of the Universal LED Module; three spring steel supports secure module into ceiling
- Quick-connect design enables easy installation and removal of Universal LED Module; LED drivers are fully accessible from below the ceiling
- Output over voltage, over-current and short circuit protection.
- Pre-wired junction box with (1) 1/2" concentric knockout; a duplex electrical connector is provided to simplify daisy-chain wiring
- Matte black painted mechanism is constructed of 16-gauge sheet metal, an aluminum die-cast heat-sink, an acrylic TIR optic, and a thermoplastic optic holder.
- Mechanism adjustment features white graduation marks every 15° for consistent aiming, as well as a set screw to lock tilt adjustment in place.
- Module features adjustability to 45° when installed in a 1/2" to 1" thick ceiling, to 30° in 1-1/2" ceiling. Using the optional FA-47 accessory holder clip with two lenses/louvers, module adjusts to 45° in 3/4" thick ceiling, with snoot to 45° in 5/8" thick ceiling.
- Many trim options available to complement any design style. See ordering information and details. **Note:** R2A series and R2RM series trims are not compatible with each other

Performance Summary

- Available in four wattage/lumen packages: 8W/800Lm, 10W/1000Lm, 14W/1300Lm, and 21W/1700Lm
- High output multi-chip LED array arranged into a single LED package, enabling precise optical control
- Select from 2700K, 3000K, 3500K and 4000K color temperatures; CRI 80 min., 83 typical; high CRI 90+ available
- A 3000K Crisp White LED option is available, delivering 90+ CRI with additional violet wavelengths that enhance white visibility
- Excellent fixture to fixture color consistency within a 2-step MacAdam Ellipse tolerance
- Precision TIR Optics produce 14°, 26°, and 33° beam distributions; optics are interchangeable and can be field replaced
- Driver with Class 2 output, RoHS Compliant
- All R2A adjustable downlights are available for non-dimming and dimming applications. For a list of compatible dimmers, refer to the Dimming Specifications sheet.

DATE

PROJECT

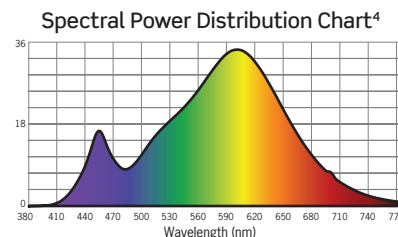
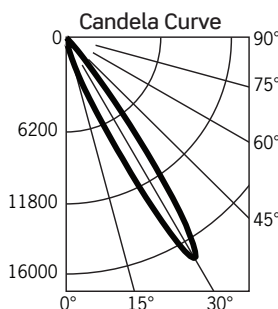
TYPE

R2ARM | 2" LED Adjustable Recessed Downlight: Remodel

Photometrics

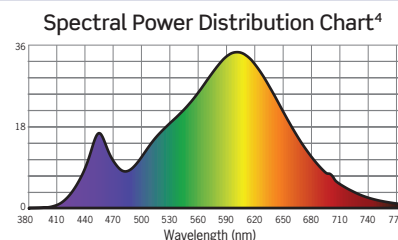
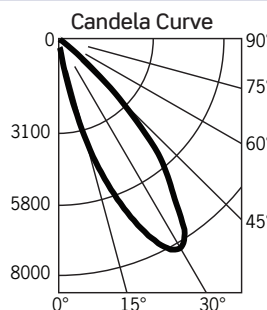
R2ARM3MVD/UMOD30KS/C2304-CLR

Fixture Aimed at 30° from Nadir
 Fixture Delivered Lumens: 1198
 Total Watts@120V: 20.6
 Lumens Per Watt: 58.1
 Center Beam Candle Power: 448
 Beam Distribution: 14°
 Spacing Criterion: 0.36
 Color Rendering Index (CRI)¹: 81
 Color Temperature (CCT)²: 3061K
 Designed for 50,000 Hour Lamp Life³
 LM-63 Test No. G17061305
 LM-79 Test No. 84022



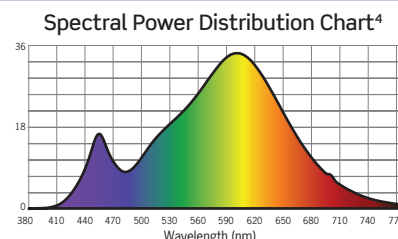
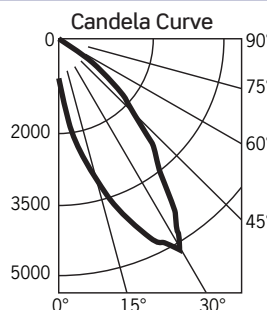
R2ARM3MVD/UMOD30KM/C2304-CLR

Fixture Aimed at 30° from Nadir
 Fixture Delivered Lumens: 1740
 Total Watts@120V: 20.6
 Lumens Per Watt: 84.5
 Center Beam Candle Power: 331
 Beam Distribution: 26°
 Spacing Criterion: 0.60
 Color Rendering Index (CRI)¹: 81
 Color Temperature (CCT)²: 3042K
 Designed for 50,000 Hour Lamp Life³
 LM-63 Test No. G17061406
 LM-79 Test No. 84023



R2ARM3MVD/UMOD30KF/C2304-CLR

Fixture Aimed at 30° from Nadir
 Fixture Delivered Lumens: 1760
 Total Watts@120V: 20.6
 Lumens Per Watt: 85.4
 Center Beam Candle Power: 454
 Beam Distribution: 33°
 Spacing Criterion: 0.13
 Color Rendering Index (CRI)¹: 81
 Color Temperature (CCT)²: 3038K
 Designed for 50,000 Hour Lamp Life³
 LM-63 Test No. G17061312
 LM-79 Test No. 84024



1. Accuracy of rendering colors 2. Color appearance of light source 3. Dependent on surrounding temperatures 4. Colors present within the light source

Photometric Multiplication Factors

Lumen output values fluctuate based on CCT. To estimate lumen output of the various CCT options, multiply 3000K results by the following:

CCT	STD CRI	HIGH CRI	CRISP WHITE	SERIES 05	SERIES 1	SERIES 2	PL & WHT REFLECTOR	BLACK REFLECTOR
2700K	0.94	0.70	0.79	0.45	0.58	0.76	1.0	0.94
3000K	N/A	0.75	0.79	0.45	0.58	0.76	1.0	0.94
3500K	1.0	0.81	0.79	0.45	0.58	0.76	1.0	0.94
4000K	1.0	0.87	0.79	0.45	0.58	0.76	1.0	0.94

DATE

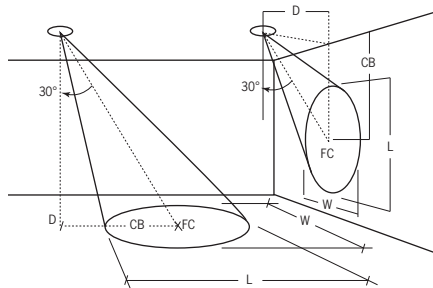
PROJECT

TYPE

R2ARM | 2" LED Adjustable Recessed Downlight: Remodel

Photometrics

APPLICATION DATA NOTES BASED UPON R2ARM3MVD/UMOD30K(S,M,F)/C2304-CLR:



D - Offset distance between the luminaire to the illuminated plane in feet
 CB - Projected distance between the luminaire and the center point where the beam is aimed in feet
 FC - Horizontal or vertical illuminance at the center point where the beam is aimed in footcandles
 L - Beam length corresponding to the perimeter where the luminous intensity is 50% of center beam candlepower (CBCP) in feet
 W - beam width corresponding to the perimeter where the luminous intensity is 50% of center beam candlepower (CBCP) in feet

Luminaires Aimed At 30° From Nadir

		ILLUMINANCE ON HORIZONTAL PLANE					ILLUMINANCE ON VERTICAL PLANE				
		D	CB	FC	L	W	D	CB	FC	L	W
SPOT	5	2.9	427	1.3	1.3	3	5.2	256	2	1.3	
	7.5	4.3	190	2	2	4	6.9	144	2.6	1.8	
	10	5.8	107	2.7	2.7	5	8.7	92	3.3	2.2	
	12.5	7.2	68	3.4	3.4	6	10.4	64	3.9	2.7	
MEDIUM	5	2.9	223	2.5	2.7	3	5.2	157	3.3	2.3	
	7.5	4.3	99	3.8	4	4	6.9	89	4.4	3.1	
	10	5.8	56	5	5.3	5	8.7	57	5.5	3.9	
	12.5	7.2	36	6.3	6.6	6	10.4	39	6.6	4.7	
FLOOD	5	2.9	139	3.2	3.3	3	5.2	97	3.8	2.8	
	7.5	4.3	62	4.8	4.9	4	6.9	55	5.1	3.8	
	10	5.8	35	6.4	6.5	5	8.7	35	6.4	4.7	
	12.5	7.2	22	8.1	8.1	6	10.4	24	7.6	5.7	