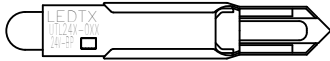
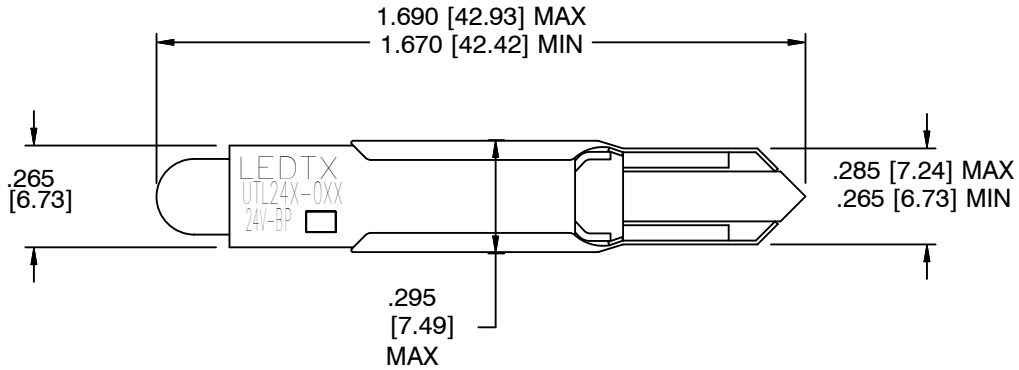
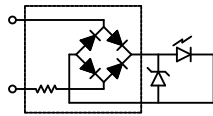


LTR	REVISION	DATE	APPD
2	PRELIMINARY (REF. ECR#041911-LUV01)	04-28-11	GP
3	NEW DATA SOURCE	06-19-18	JG



ACTUAL SIZE



NOTES:

1. ALL PARTS WITH (*) ARE RoHS CERTIFIED.
2. SLEEVE MATERIAL: EPOXY
3. BASE MATERIAL: INSULATOR IS MADE FROM NYLON #66 GRAY HSL103 ZYTEL/DUPONT
CONTACT BLADE IS MADE FROM BRASS WITH NICKLE PLATED (BARREL).

Operating Temperature: ~-30°C to ~+50°C

Electrical-Optical Characteristics (Ta = 25°C)

LEDtronics Part No.	Current Amps	Circuit Rating Volts	Circuit Voltage Min	Circuit Voltage Max	Replaces Incandescent	Incand. Lamp Voltage Rating	External Series Resistor, Ohms	λp, nm or Kelvin	Emitted Color
UTL24X-OIW	0.013 A	24VDC	22	28	24E / 24X	28V	110	3000K	Warm White *
UTL24X-OCW	0.013 A	24VDC	22	28	24E / 24X	28V	110	8000K	Cool White *
UTL24X-OUR	0.013 A	24VDC	22	28	24E / 24X	28V	110	652nm	Ultra Red *
UTL24X-OUY	0.013 A	24VDC	22	28	24E / 24X	28V	110	596nm	Super Yellow *
UTL24X-OAG	0.013 A	24VDC	22	28	24E / 24X	28V	110	521nm	Aqua Green *
UTL24X-OUB	0.013 A	24VDC	22	28	24E / 24X	28V	110	461nm	Super Blue *



REVISION NOTIFICATION	
<input type="checkbox"/>	PMA
<input type="checkbox"/>	UL
<input type="checkbox"/>	MADE IN USA
<input type="checkbox"/>	CUSTOMER _____
<input type="checkbox"/>	OTHER



-PROPRIETARY-
This document contains Proprietary information of LEDTRONICS, INC. It may not be copied, used or disclosed for any purpose without the prior express written consent of LEDTRONICS, INC.
 .XXX ± .010 TOLERANCE PER ANSI-Y14.5
 .XX ± .025 (UNLESS OTHERWISE STATED)
 ANGLES ± 0°.30'
 FRACT. ± 1/32

TITLE						
UTL24X-OXX						
DWG NO	SCALE	SHEET	DATE			
UTL24X2	1:1	1 OF 1	07-05-98			
CODE IDENT NO.	DWG BY	CHK BY	QA	MFG	R&D	
8Z410	SMA 07-05-98		RD 04-28-11	LD 04-28-11	BJ 04-28-11	