



BALLAST SPECIFICATION

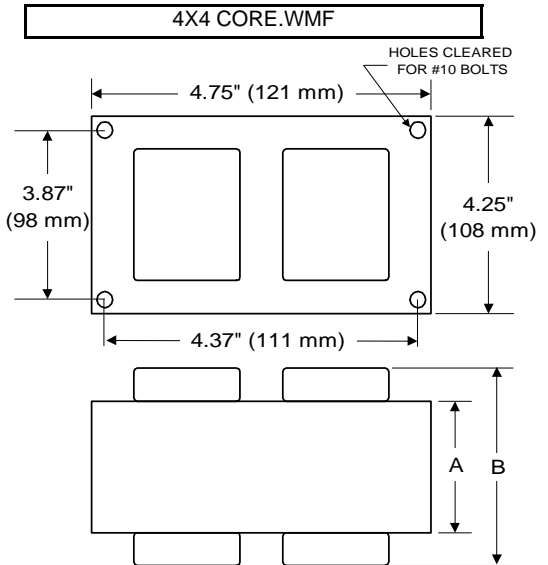
210W MXXX-210PS

Pulse Start Metal Halide

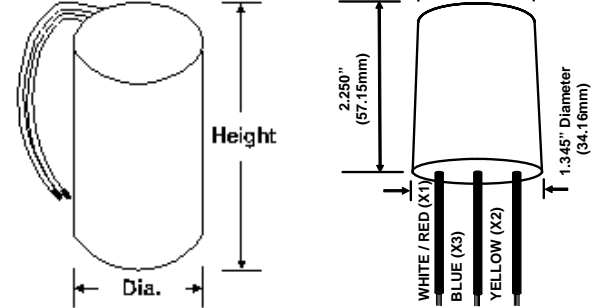
V90AM5311

60 Hz CWA C&C

Input Volts	120	208	240	277	480
Line Current (Amps)					
Operating	2.00	1.15	1.00	0.90	.50
Open Circuit	0.90	0.50	0.45	0.40	.25
Starting	1.70	1.00	0.85	0.75	.45
Recommended Fuse (Amps)	5	3	2.5	2.5	1.5
Regulation					
Line Volts	±10%	±10%	±10%	±10%	±10%
Lamp Watts	±10%	±10%	±10%	±10%	±10%
Temperature Ratings					
Insulation Class	180 (H)	180 (H)	180 (H)	180 (H)	180 (H)
Coil Temperature Code	A	A	A	A	A
Benchtop Coil Rise	52.3	52.3	52.5	52.9	53.9
Power Factor (%) HPF	90	90	90	90	90
Input Watts	238 W	238 W	238 W	238 W	238 W
Efficiency	88.2%	88.2%	88.2%	88.2%	88.2%
NOM. Open Circuit Voltage	205	205	205	205	210
Input Voltage At Lamp Dropout	90	150	175	200	350
Min Ambient Starting Temp	-20°F/-30°C*	-20°F/-30°C*	-20°F/-30°C*	-20°F/-30°C*	-20°F/-30°C*
60 HZ TEST PROCEDURES					
High Potential Test (Volts)					
1 Minute	2,000 V	2,000 V	2,000 V	2,000 V	2,000 V
1 Second	2,400 V	2,400 V	2,400 V	2,400 V	2,400 V
Open Circuit Voltage Test (V)	185 - 225	185 - 225	185 - 225	185 - 225	180 - 240
Short Circuit Current Test (A)					
Secondary Current	Min 2.95 Max 3.60	Min 2.95 Max 3.60	Min 2.95 Max 3.60	Min 2.95 Max 3.60	Min 2.95 Max 3.60
Input Current	Min 1.30 Max 1.90	Min 0.75 Max 1.15	Min 0.65 Max 1.00	Min 0.55 Max 0.90	Min 0.30 Max 0.50
CORE and COIL Specifications					
Dimension (A)	1.50 in	1.50 in	1.50 in	1.50 in	1.50 in
Dimension (B)	3.65 in	3.65 in	3.65 in	3.65 in	3.65 in
Weight	10.5 lb's	10.5 lb's	10.5 lb's	10.5 lb's	10.5 lb's
Lead Lengths	12"	12"	12"	12"	12"
Capacitor Requirement					
Microfarads	26.0 uf	26.0 uf	26.0 uf	26.0 uf	26.0 uf
Volts (Min)	280 V	280 V	280 V	280 V	280 V



Capacitor:	ACG278	Ignitor:	BVS-041
Microfarads:	26.0 uf	Case Temp (Max):	105 °C
Volts (Max):	400 V	BTL Distance (Max)	5 ft
Case Temp (Max)	100 °C		
Height (Max):	4.80 in		
Dia (Max):	1.80 in		
Oval Width (Max):			



Dry Type Capacitor with Leads

Ordering Information Add Suffix for options
 C - With Dry Capacitor
 CB - With Dry Capacitor and Welded Bracket
 B - With Welded Bracket, no Capacitor
 K - Prewired, with Dry Capacitor and Bracket Kit

* -40°F/-40°C Min Ambient Starting Temp with Venture Lamp

Data is based upon tests performed by Venture Lighting in a controlled environment and is representative of relative performance. Actual performance can vary depending on operating conditions. Specifications are subject to change without notice.

5/21/2014 **Production** Coil material: primary Cu and secondary Cu

Complies with the Energy Independence and Security Act of 2007 and California Title 20 Appliance Efficiency Regulations

RoHS