

BALLAST SPECIFICATION

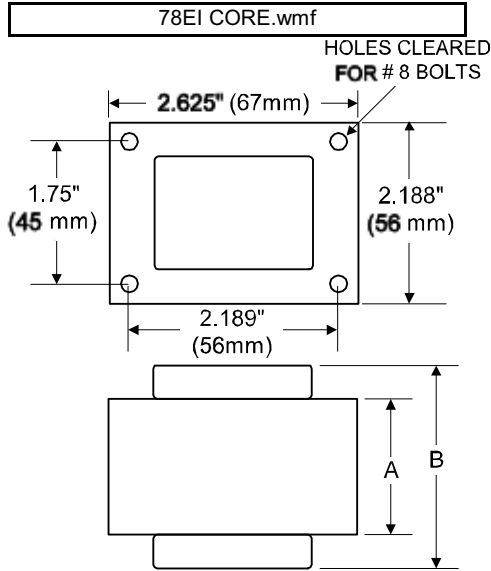
70W S62

High Pressure Sodium

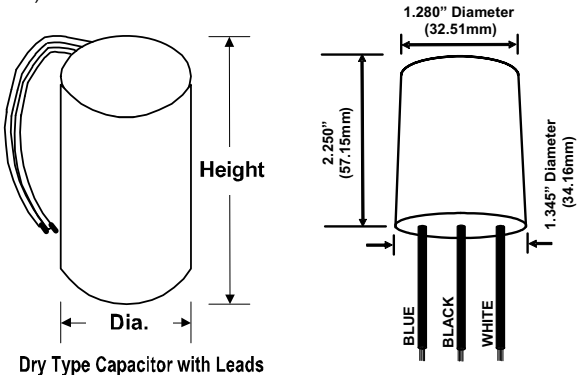
V90B1222-HPF

60 Hz Reactor-HPF

Input Volts	120		
Line Current (Amps)			
Operating	0.75		
Open Circuit	1.30		
Starting	0.85		
Recommended Fuse (Amps)	4		
Regulation			
Line Volts	±5%		
Lamp Watts	±9%		
Temperature Ratings			
Insulation Class	180 (H)		
Coil Temperature Code	B		
Benchtop Coil Rise			
Power Factor (Min)	90%		
Input Watts	85 W		
Efficiency			
NOM. Open Circuit Voltage	120		
Input Voltage At Lamp Dropout	95		
Min Ambient Starting Temp	-40°F/-40°C		
60 HZ TEST PROCEDURES			
High Potential Test (Volts)			
1 Minute	2,000 V		
1 Second	2,500 V		
Open Circuit Voltage Test (V)	110 - 135		
Short Circuit Current Test (A)			
Secondary Current	Min 1.85 Max 2.25		
Input Current	Min 0.65 Max 1.10		
CORE and COIL Specifications			
Dimension (A)	1.29 in		
Dimension (B)	2.30 in		
Weight	3.0 lb's		
Lead Lengths	12"		
Capacitor Requirement			
Microfarads	28.0 uf		
Volts (Min)	120 V		



Capacitor: ACG206	Ignitor: BVS-004-A
Microfarads: 28.0 uf	Case Temp (Max): 105 °C
Volts (Max): 330 V	BTL Distance (Max): 12 ft
Case Temp (Max): 100 °C	
Height (Max): 3.68 in	
Dia (Max): 1.80 in	



Ordering Information Add Suffix for options

C - With Capacitor
 K - Prewired, with Capacitor and Bracket Kit
 B - With Welded Bracket, no cap
 CB - With Capacitor and Welded Bracket

Coil material: Cu

RoHS compliant on all manufactured products after August 1, 2007

Data is based upon tests performed by Venture Lighting in a controlled environment and is representative of relative performance. Actual performance can vary depending on operating conditions. Specifications are subject to change without notice.

