

BALLAST SPECIFICATION

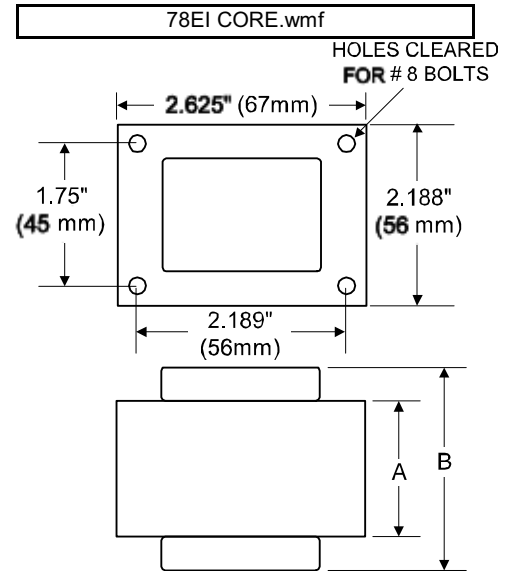
100W S54

High Pressure Sodium

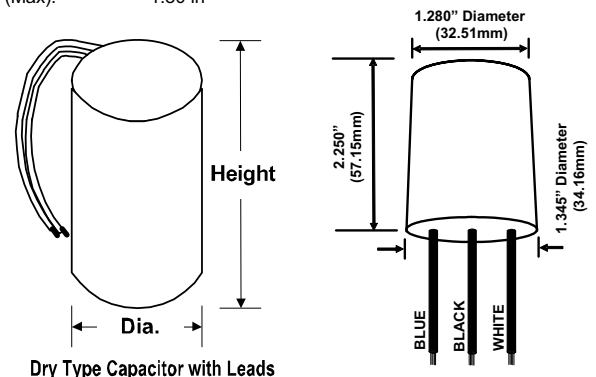
V90B1322-HPF

60 Hz Reactor-HPF

Input Volts	120				
Line Current (Amps)					
Operating	1.05				
Open Circuit	1.75				
Starting	1.20				
Recommended Fuse (Amps)	3				
Regulation					
Line Volts	±5%				
Lamp Watts	±8%				
Temperature Ratings					
Insulation Class	180 (H)				
Coil Temperature Code	E				
Benchtop Coil Rise					
Power Factor (Min)	90%				
Input Watts	118 W				
Efficiency					
NOM. Open Circuit Voltage	120				
Input Voltage At Lamp Dropout	95				
Min Ambient Starting Temp	-40°F/-40°C				
60 HZ TEST PROCEDURES					
High Potential Test (Volts)					
1 Minute	2,000 V				
1 Second	2,500 V				
Open Circuit Voltage Test (V)	110 - 135				
Short Circuit Current Test (A)					
Secondary Current	Min 2.55				
	Max 3.15				
Input Current	Min 0.90				
	Max 1.50				
CORE and COIL Specifications					
Dimension (A)	1.50 in				
Dimension (B)	2.45 in				
Weight	3.0 lb's				
Lead Lengths	12"				
Capacitor Requirement					
Microfarads	40.0 uf				
Volts (Min)	120 V				



Capacitor: ACG004	Ignitor: BVS-004-A
Microfarads: 40.0 uf	Case Temp (Max): 105 °C
Volts (Max): 280 V	BTL Distance (Max): 12 ft
Case Temp (Max): 100 °C	
Height (Max): 3.68 in	
Dia (Max): 1.80 in	



Ordering Information Add Suffix for options

- C - With Capacitor
- K - Prewired, with Capacitor and Bracket Kit
- B - With Welded Bracket, no cap
- CB - With Capacitor and Welded Bracket

Coil material: Cu

RoHS compliant on all manufactured products after August 1, 2007

Data is based upon tests performed by Venture Lighting in a controlled environment and is representative of relative performance. Actual performance can vary depending on operating conditions. Specifications are subject to change without notice.



RoHS

