

50W M110

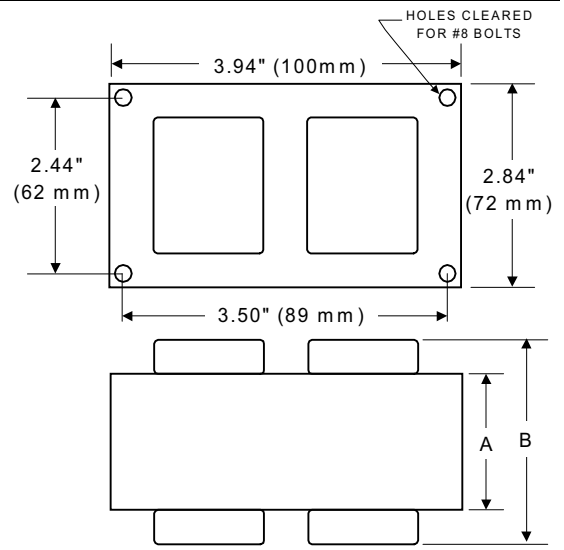
Pulse Start Metal Halide

V90D5731

60 Hz HX-HPF

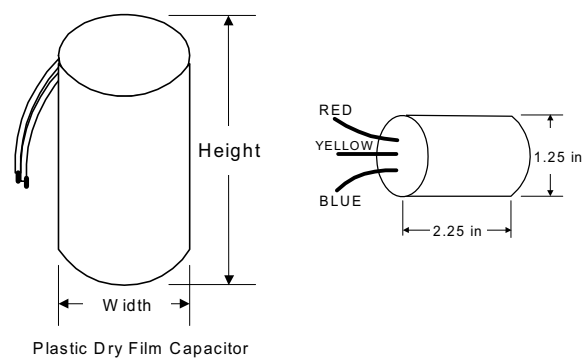
Input Volts	120	208	240	277
Line Current (Amps)				
Operating	0.60	0.35	0.30	0.25
Open Circuit	1.20	0.65	0.60	0.50
Starting	0.60	0.35	0.30	0.25
Regulation				
Line Volts	±5%	±5%	±5%	±5%
Lamp Watts	±10%	±10%	±10%	±10%
UL Temperature Ratings				
Insulation Class	H	H	H	H
Coil Temperature Code	A	A	A	A
Benchtop Coil Rise	66.6	64.7	64.3	70.7
Input Watts	68 W	68 W	68 W	68 W
NOM. Open Circuit Voltage	265	265	265	265
Power Factor	90%	90%	90%	90%
Current Crest Factor	1.50	1.50	1.50	1.50
Input Voltage At Lamp Dropout	85	150	170	195
MIN. Ambient Starting Temp.	-40°F -40°C	-40°F -40°C	-40°F -40°C	-40°F -40°C
60 HZ TEST PROCEDURES				
High Potential Test (Volts)				
1 Minute	2,000 V	2,000 V	2,000 V	2,000 V
1 Second	2,500 V	2,500 V	2,500 V	2,500 V
Open Circuit Voltage Test (V)	235 - 295	235 - 295	235 - 295	235 - 295
Short Circuit Current Test (A)				
Secondary Current Min	.65	.65	.65	.65
Max	.85	.85	.85	.85
Input Current Min	0.40	0.25	0.20	0.15
Max	0.65	0.35	0.32	0.30
Recommended Fuse (Amps)	3	2	2	2
CORE and COIL Specifications				
Dimension (A)	1.05 in	1.05 in	1.05 in	1.05 in
Dimension (B)	2.45 in	2.45 in	2.45 in	2.45 in
Weight (lbs.)	3.5 lb's	3.5 lb's	3.5 lb's	3.5 lb's
Lead Lengths	12 "	12 "	12 "	12 "
CAPACITOR Specifications				
Microfarads	6.0 uf	6.0 uf	6.0 uf	6.0 uf
Volts (min.)	280 V	280 V	280 V	280 V

3X4 CORE - HX, CWA & CWI UNITS



Capacitor: ACG033 Ignitor: BVS-032

Temp Rating: 100 °C Temp: 105 °C
 Height: 2.72 in BTL: 2 ft
 Dia/Oval Dim 1.38 in



Ordering Information Add Suffix for options

- C - With Capacitor
- K - With Capacitor and Bracket Kit
- B - With Welded Bracket no cap

Data is based upon tests performed by Venture Lighting in a controlled environment and is representative of relative performance. Actual performance can vary depending on operating conditions. Specifications are subject to change without notice
 This unit contains an aluminum winding. Consult factory for details

12/20/00 Production

