

1500W M48

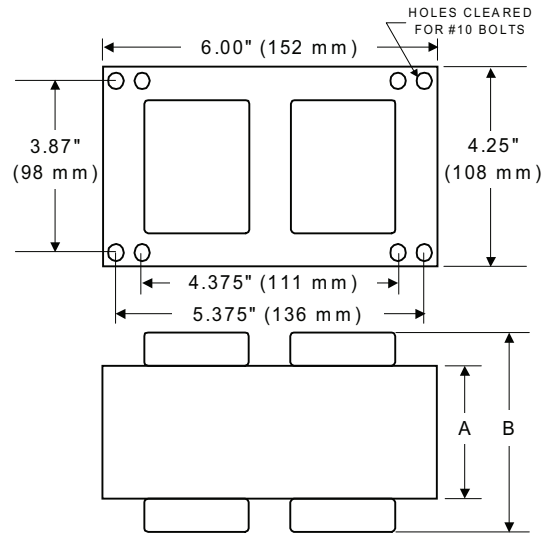
Metal Halide

V90D6612

60 Hz CWA

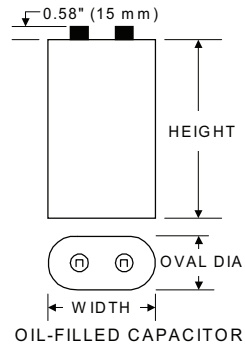
| Input Volts | 120 | 208 | 240 | 277 |
|--------------------------------|-------------|-------------|-------------|-------------|
| Line Current (Amps) | | | | |
| Operating | 13.40 | 7.75 | 6.70 | 5.80 |
| Open Circuit | 6.30 | 3.65 | 3.15 | 2.75 |
| Starting | 11.30 | 6.50 | 5.65 | 4.90 |
| Regulation | | | | |
| Line Volts | ±10% | ±10% | ±10% | ±10% |
| Lamp Watts | ±12% | ±12% | ±12% | ±12% |
| UL Temperature Ratings | | | | |
| Insulation Class | H | H | H | H |
| Coil Temperature Code | G | E | E | E |
| Benchtop Coil Rise | 101.6 | 90.4 | 92.4 | 93.4 |
| Input Watts | 1605 W | 1605 W | 1605 W | 1605 W |
| NOM. Open Circuit Voltage | 440 | 440 | 440 | 440 |
| Power Factor | 90% | 90% | 90% | 90% |
| Current Crest Factor | 1.65 | 1.65 | 1.65 | 1.65 |
| Input Voltage At Lamp Dropout | 80 | 140 | 160 | 185 |
| MIN. Ambient Starting Temp. | -20°F -30°C | -20°F -30°C | -20°F -30°C | -20°F -30°C |
| 60 HZ TEST PROCEDURES | | | | |
| High Potential Test (Volts) | | | | |
| 1 Minute | 2,000 V | 2,000 V | 2,000 V | 2,000 V |
| 1 Second | 2,500 V | 2,500 V | 2,500 V | 2,500 V |
| Open Circuit Voltage Test (V) | 385 - 475 | 385 - 475 | 385 - 475 | 385 - 475 |
| Short Circuit Current Test (A) | | | | |
| Secondary Current Min | 7.30 | 7.30 | 7.30 | 7.30 |
| Max | 9.00 | 9.00 | 9.00 | 9.00 |
| Input Current Min | 9.90 | 5.70 | 4.95 | 4.30 |
| Max | 12.10 | 7.05 | 6.05 | 5.30 |
| Recommended Fuse (Amps) | 34 | 19 | 17 | 15 |
| CORE and COIL Specifications | | | | |
| Dimension (A) | 4.10 in | 4.10 in | 4.10 in | 4.10 in |
| Dimension (B) | 6.10 in | 6.10 in | 6.10 in | 6.10 in |
| Weight (lbs.) | 31.0 lb's | 31.0 lb's | 31.0 lb's | 31.0 lb's |
| Lead Lengths | 12" | 12" | 12" | 12" |
| CAPACITOR Specifications | | | | |
| Microfarads | 32.0 uf | 32.0 uf | 32.0 uf | 32.0 uf |
| Volts (min.) | 525 V | 525 V | 525 V | 525 V |

4X6 CORE - HX, CWA & CWI UNITS



Capacitor: ACB2560V **Ignitor: None**

Temp Rating: 90 °C
Height: 4.44 in
Dia/Oval Dim 2.03 in
Width 3.72



Ordering Information Add Suffix for options

- C - With Capacitor
- K - With Capacitor and Bracket Kit
- B - With Welded Bracket no cap

Data is based upon tests performed by Venture Lighting in a controlled environment and is representative of relative performance. Actual performance can vary depending on operating conditions. Specifications are subject to change without notice

1/25/01 Production

