

# BALLAST SPECIFICATION

## 175W M137 / M152

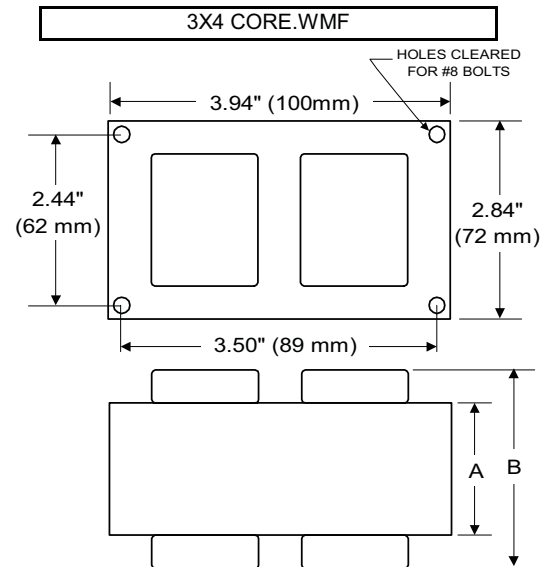
Pulse Start Metal Halide

V90D7211

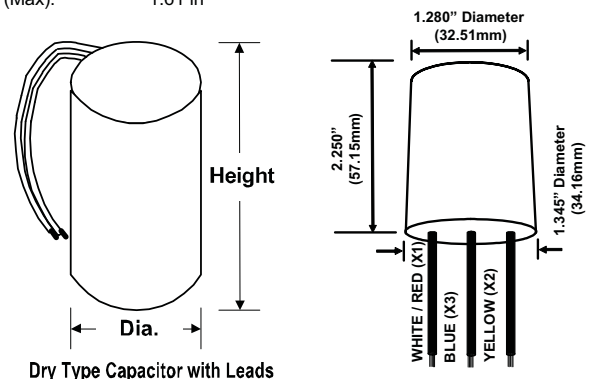
60 Hz CWA

**UNI-FORM<sup>®</sup>**  
PULSE START SYSTEM

Input Volts	120	208	240	277
Line Current ( Amps )				
Operating	1.75	1.00	0.85	0.75
Open Circuit	1.60	0.95	0.80	0.70
Starting	0.90	0.50	0.35	0.30
Recommended Fuse (Amps)	5	3	3	2
Regulation				
Line Volts	±10%	±10%	±10%	±10%
Lamp Watts	±8%	±8%	±8%	±8%
Temperature Ratings				
Insulation Class	180 (H)	180 (H)	180 (H)	180 (H)
Coil Temperature Code	A	A	A	A
Benchtop Coil Rise	50.3	48.9	44.0	48.8
Power Factor (Min)	90%	90%	90%	90%
Input Watts	199 W	199 W	199 W	199 W
Efficiency	88%	88%	88%	88%
NOM. Open Circuit Voltage	275	275	275	275
Input Voltage At Lamp Dropout	70	120	135	150
Min Ambient Starting Temp	-20°F/-30°C*	-20°F/-30°C*	-20°F/-30°C*	-20°F/-30°C*
60 HZ TEST PROCEDURES				
High Potential Test (Volts)				
1 Minute	1,600 V	1,600 V	1,600 V	1,600 V
1 Second	1,900 V	1,900 V	1,900 V	1,900 V
Open Circuit Voltage Test (V)	250 - 300	250 - 300	250 - 300	250 - 300
Short Circuit Current Test (A)				
Secondary Current				
Min	1.70	1.70	1.70	1.70
Max	2.05	2.05	2.05	2.05
Input Current				
Min	0.55	0.30	0.25	0.20
Max	0.80	0.45	0.40	0.35
CORE and COIL Specifications				
Dimension (A)	3.00 in	3.00 in	3.00 in	3.00 in
Dimension (B)	4.40 in	4.40 in	4.40 in	4.40 in
Weight	9.0 lb's	9.0 lb's	9.0 lb's	9.0 lb's
Lead Lengths	12 "	12 "	12 "	12 "
Capacitor Requirement				
Microfarads	12.5 uf	12.5 uf	12.5 uf	12.5 uf
Volts (Min)	330 V	330 V	330 V	330 V



Capacitor:	ACG303	Ignitor:	BVS-041
Microfarads:	12.5 uf	Case Temp (Max):	105 °C
Volts (Max):	330 V	BTL Distance (Max):	2 ft
Case Temp (Max):	100 °C		
Height (Max):	3.16 in		
Dia (Max):	1.61 in		



Ordering Information Add Suffix for options

- C - With Capacitor
- K - Prewired, with Capacitor and Bracket Kit
- B - With Welded Bracket, no cap
- CB - With Capacitor and Welded Bracket

\* -40°F/-40°C Min Ambient Starting Temp with Venture Lamp  
Coil material: primary Cu and secondary Cu

RoHS compliant on all manufactured products after August 1, 2007

Data is based upon tests performed by Venture Lighting in a controlled environment and is representative of relative performance. Actual performance can vary depending on operating conditions. Specifications are subject to change without notice.

12/22/2008



Complies with the Energy Independence and Security Act of 2007 and California Title 20 Appliance Efficiency Regulations



RoHS

