

# BALLAST SPECIFICATION

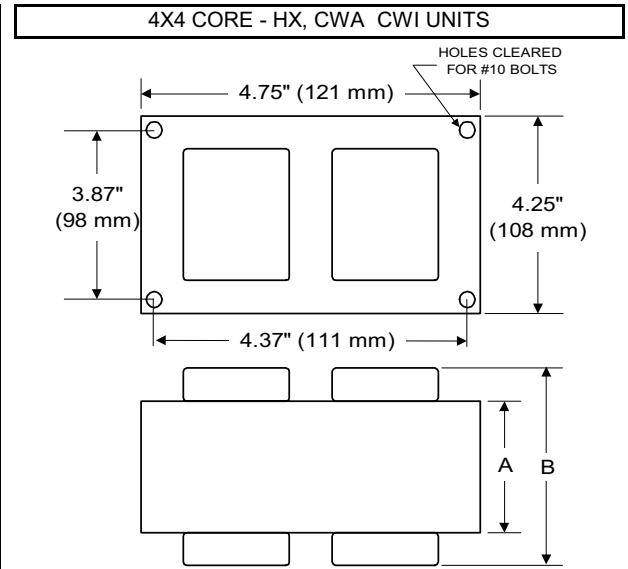
## 450W M144

Pulse Start Metal Halide

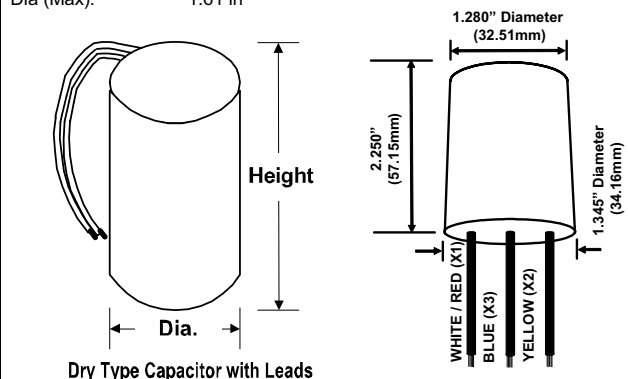
V90D8512

60 Hz CWA

<b>Input Volts</b>	120	208	240	277
Line Current ( Amps )				
Operating	4.40	2.50	2.20	1.90
Open Circuit	1.50	0.85	0.75	0.65
Starting	4.00	2.30	2.00	1.70
Recommended Fuse (Amps)	11	7	6	5
Regulation				
Line Volts	±10%	±10%	±10%	±10%
Lamp Watts	±10%	±10%	±10%	±10%
Temperature Ratings				
Insulation Class	180 (H)	180 (H)	180 (H)	180 (H)
Coil Temperature Code	C	D	D	D
Benchtop Coil Rise	83.7	85.2	85.4	88.1
Power Factor (Min)	90%	90%	90%	90%
Input Watts	507 W	507 W	507 W	507 W
Efficiency	89%	89%	89%	89%
NOM. Open Circuit Voltage	260	260	260	260
Input Voltage At Lamp Dropout	70	120	140	160
Min Ambient Starting Temp	-20°F/-30°C*	-20°F/-30°C*	-20°F/-30°C*	-20°F/-30°C*
<b>60 HZ TEST PROCEDURES</b>				
High Potential Test (Volts)				
1 Minute	2,000 V	2,000 V	2,000 V	2,000 V
1 Second	2,500 V	2,500 V	2,500 V	2,500 V
Open Circuit Voltage Test (V)	235 - 285	235 - 285	235 - 285	235 - 285
Short Circuit Current Test (A)				
Secondary Current				
Min	4.20	4.20	4.20	4.20
Max	5.15	5.15	5.15	5.15
Input Current				
Min	3.20	1.85	1.60	1.40
Max	4.80	2.75	2.40	2.10
CORE and COIL Specifications				
Dimension (A)	2.30 in	2.30 in	2.30 in	2.30 in
Dimension (B)	4.20 in	4.20 in	4.20 in	4.20 in
Weight	12.4 lb's	12.4 lb's	12.4 lb's	12.4 lb's
Lead Lengths	12"	12"	12"	12"
Capacitor Requirement				
Microfarads	32.0 uf	32.0 uf	32.0 uf	32.0 uf
Volts (Min)	300 V	300 V	300 V	300 V



<b>Capacitor:</b>	ACG320	<b>Ignitor:</b>	BVS-041
Microfarads:	32.0 uf	Case Temp (Max):	105 °C
Volts (Max):	330 V	BTL Distance (Max):	2 ft
Case Temp (Max):	100 °C		
Height (Max):	4.68 in		
Dia (Max):	1.61 in		



Dry Type Capacitor with Leads

Ordering Information    Add Suffix for options

- C - With Capacitor
- K - Prewired, with Capacitor and Bracket Kit
- B - With Welded Bracket, no cap
- CB - With Capacitor and Welded Bracket

\* -40°F/-40°C Min Ambient Starting Temp with Venture Lamp  
Coil material: primary Cu and secondary Al

RoHS compliant on all manufactured products after August 1, 2007

Data is based upon tests performed by Venture Lighting in a controlled environment and is representative of relative performance. Actual performance can vary depending on operating conditions. Specifications are subject to change without notice.

**10/8/2008    Production**



**Complies with the Energy Independence and Security Act of 2007 and California Title 20 Appliance Efficiency Regulations**



**RoHS**

