

BALLAST SPECIFICATION

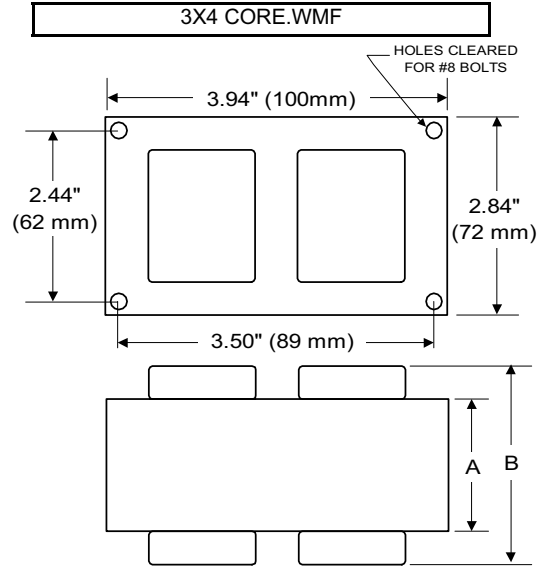
100W M90

Pulse Start Metal Halide

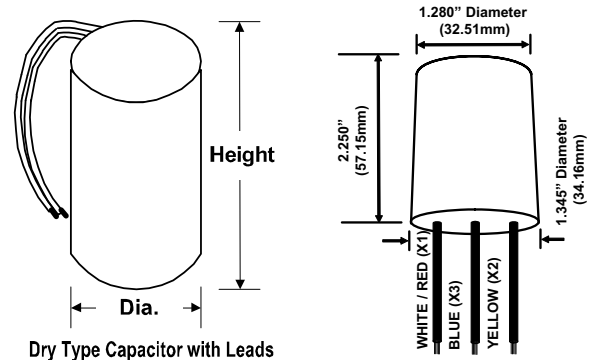
V90J5932

60 Hz HX-HPF

Input Volts	120	277	347
Line Current (Amps)			
Operating	1.10	0.50	0.40
Open Circuit	2.60	1.15	0.90
Starting	1.00	0.45	0.35
Recommended Fuse (Amps)	7	3	3
Regulation			
Line Volts	±5%	±5%	±5%
Lamp Watts	±10%	±10%	±10%
Temperature Ratings			
Insulation Class	180 (H)	180 (H)	180 (H)
Coil Temperature Code	A	A	A
Benchtop Coil Rise	72.9	71.2	70.7
Power Factor (Min)	90%	90%	90%
Input Watts	126 W	126 W	126 W
Efficiency			
NOM. Open Circuit Voltage	270	270	270
Input Voltage At Lamp Dropout	80	175	220
Min Ambient Starting Temp	-20°F/-30°C*	-20°F/-30°C*	-20°F/-30°C*
60 HZ TEST PROCEDURES			
High Potential Test (Volts)			
1 Minute	1,700 V	1,700 V	1,700 V
1 Second	2,100 V	2,100 V	2,100 V
Open Circuit Voltage Test (V)	240 - 300	240 - 300	240 - 300
Short Circuit Current Test (A)			
Secondary Current	Min 1.25	1.25	1.25
	Max 1.55	1.55	1.55
Input Current	Min 0.55	0.25	0.15
	Max 0.85	0.40	0.30
CORE and COIL Specifications			
Dimension (A)	1.70 in	1.70 in	1.70 in
Dimension (B)	3.10 in	3.10 in	3.10 in
Weight	5.2 lb's	5.2 lb's	5.2 lb's
Lead Lengths	12 "	12 "	12 "
Capacitor Requirement			
Microfarads	12.0 uf	12.0 uf	12.0 uf
Volts (Min)	280 V	280 V	280 V



Capacitor:	ACG321	Ignitor:	BVS-032
Microfarads:	12.0 uf	Case Temp (Max):	105 °C
Volts (Max):	330 V	BTL Distance (Max)	2 ft
Case Temp (Max)	100 °C		
Height (Max):	2.76 in		
Dia (Max):	1.62 in		



Ordering Information Add Suffix for options

- C - With Capacitor
- K - Prewired, with Capacitor and Bracket Kit
- B - With Welded Bracket, no cap
- CB - With Capacitor and Welded Bracket

* -40°F/-40°C Min Ambient Starting Temp with Venture Lamp
 Coil material: primary Cu and secondary Al

RoHS compliant on all manufactured products after August 1, 2007

Data is based upon tests performed by Venture Lighting in a controlled environment and is representative of relative performance. Actual performance can vary depending on operating conditions. Specifications are subject to change without notice.

8/25/2009 Production



RoHS

