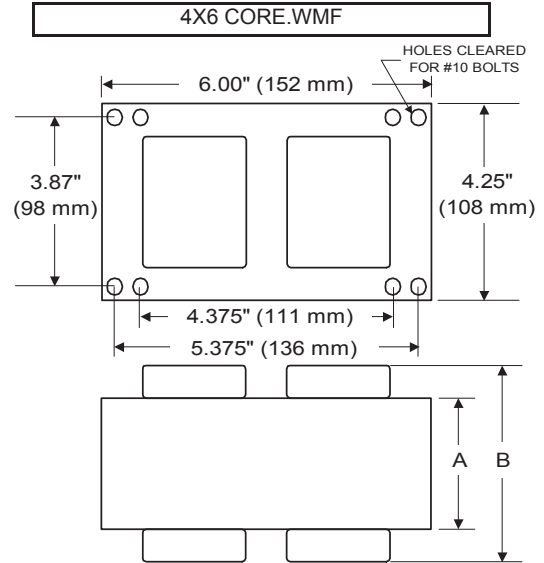




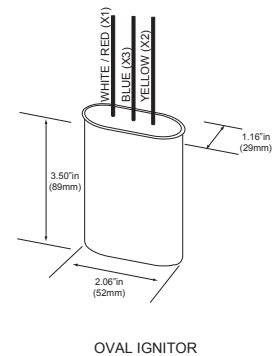
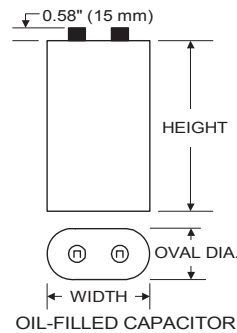
BALLAST SPECIFICATION

2000W M134
Pulse Start Metal Halide
V90U6810
60 Hz CWA C&C

Input Volts	277				
Line Current (Amps)					
Operating	7.90				
Open Circuit	3.00				
Starting	7.35				
Recommended Fuse (Amps)	20				
Regulation					
Line Volts	±10%				
Lamp Watts	±11%				
Temperature Ratings					
Insulation Class	180 (H)				
Coil Temperature Code	E				
Benchtop Coil Rise	91.0				
Power Factor (%) HPF	90				
Input Watts	2105 W				
Efficiency	93.0%				
NOM. Open Circuit Voltage	435				
Input Voltage At Lamp Dropout	165				
Min Ambient Starting Temp	-20°F/-30°C*				
60 HZ TEST PROCEDURES					
High Potential Test (Volts)					
1 Minute	1,900 V				
1 Second	2,300 V				
Open Circuit Voltage Test (V)	400 - 470				
Short Circuit Current Test (A)					
Secondary Current	Min 9.60				
	Max 11.60				
Input Current	Min 6.30				
	Max 8.30				
CORE and COIL Specifications					
Dimension (A)	6.00 in				
Dimension (B)	8.10 in				
Weight	42.0 lb's				
Lead Lengths	12 "				
Capacitor Requirement					
Microfarads	44.0 uf				
Volts (Min)	525 V				



Capacitor:	ACB266OV	Ignitor:	BVS-029
Microfarads:	44.0 uf	Case Temp (Max):	105 °C
Volts (Max):	520 V	BTL Distance (Max)	2 ft
Case Temp (Max)	100 °C		
Height (Max):	4.37 in		
Dia (Max):	2.03 in		
Oval Width (Max):	3.72 in		



Ordering Information Add Suffix for options
 C - With Oil-Filled Capacitor
 CB - With Oil-Filled Capacitor and Welded Bracket
 B - With Welded Bracket, no Capacitor
 K - Prewired, with Oil-Filled Capacitor and Bracket Kit

* -40°F/-40°C Min Ambient Starting Temp with Venture Lamp

Data is based upon tests performed by Venture Lighting in a controlled environment and is representative of relative performance. Actual performance can vary depending on operating conditions. Specifications are subject to change without notice.

04/21/2020 **Production** Coil Material (PRI/SEC): Cu / Cu

