

# BALLAST SPECIFICATION

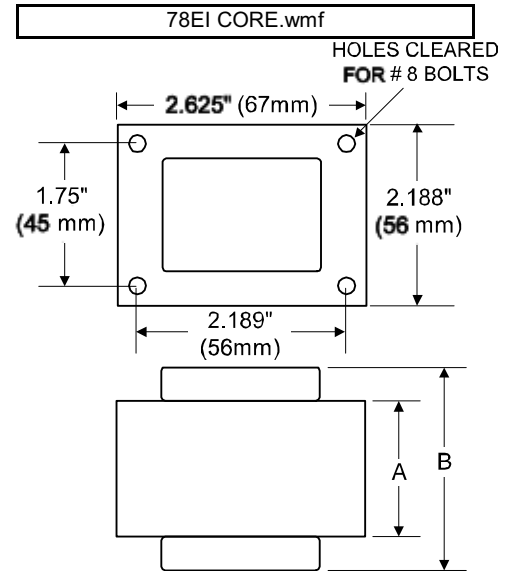
## 150W M102

Pulse Start Metal Halide

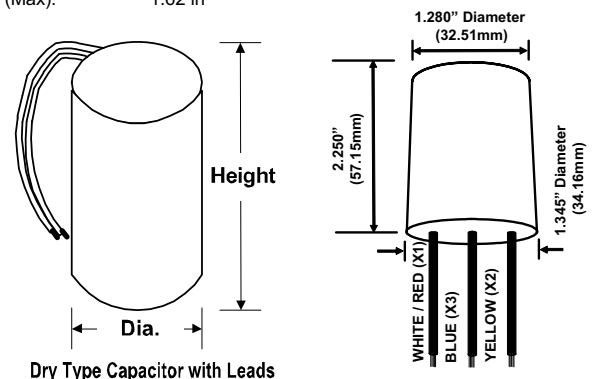
V90U7121

60 Hz Reactor

Input Volts	277		
Line Current ( Amps )			
Operating	0.65		
Open Circuit	1.50		
Starting	0.75		
Recommended Fuse (Amps)	4		
Regulation			
Line Volts	±5%		
Lamp Watts	±9%		
Temperature Ratings			
Insulation Class	180 (H)		
Coil Temperature Code	B		
Benchtop Coil Rise	77.5		
Power Factor (Min)	90%		
Input Watts	170 W		
Efficiency	88%		
NOM. Open Circuit Voltage	277		
Input Voltage At Lamp Dropout	170		
Min Ambient Starting Temp	-20°F/-30°C*		
<b>60 HZ TEST PROCEDURES</b>			
High Potential Test (Volts)			
1 Minute	1,600 V		
1 Second	1,900 V		
Open Circuit Voltage Test (V)	250 - 305		
Short Circuit Current Test (A)			
Secondary Current	Min 2.00		
	Max 2.45		
Input Current	Min 0.65		
	Max 0.95		
<b>CORE and COIL Specifications</b>			
Dimension (A)	2.50 in		
Dimension (B)	3.90 in		
Weight	4.0 lb's		
Lead Lengths	12"		
<b>Capacitor Requirement</b>			
Microfarads	14.0 uf		
Volts (Min)	280 V		



<b>Capacitor:</b> ACG309	<b>Ignitor:</b> BVS-041
Microfarads: 14.0 uf	Case Temp (Max): 105 °C
Volts (Max): 280 V	BTL Distance (Max): 2 ft
Case Temp (Max): 100 °C	
Height (Max): 2.76 in	
Dia (Max): 1.62 in	



Dry Type Capacitor with Leads

Ordering Information    Add Suffix for options

- C - With Capacitor
- K - Prewired, with Capacitor and Bracket Kit
- B - With Welded Bracket, no cap
- CB - With Capacitor and Welded Bracket

\* -40°F/-40°C Min Ambient Starting Temp with Venture Lamp  
Coil material: Cu

RoHS compliant on all manufactured products after August 1, 2007

Data is based upon tests performed by Venture Lighting in a controlled environment and is representative of relative performance. Actual performance can vary depending on operating conditions. Specifications are subject to change without notice.

**11/17/2008    Production**



**Complies with the Energy Independence and Security Act of 2007 and California Title 20 Appliance Efficiency Regulations**



**RoHS**

