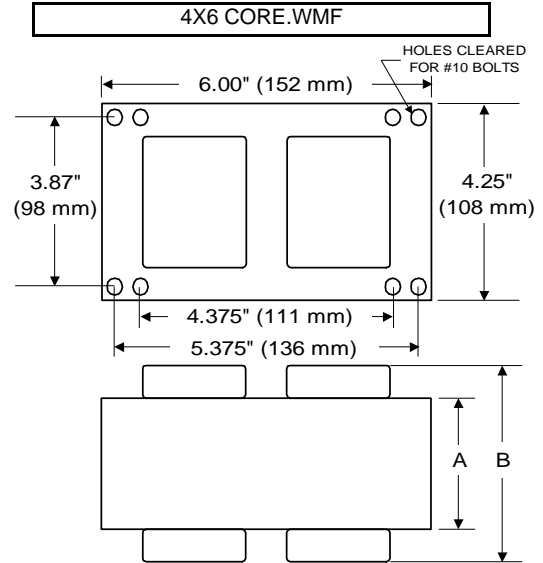




BALLAST SPECIFICATION

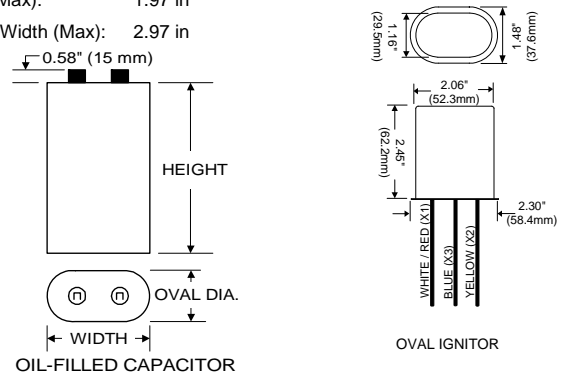
1000W S52
High Pressure Sodium
V90Y2311T
60 Hz CWA C&C

Input Volts	480			
Line Current (Amps)				
Operating	2.30			
Open Circuit	0.80			
Starting	2.30			
Recommended Fuse (Amps)	6			
Regulation				
Line Volts	±10%			
Lamp Watts	±14%			
Temperature Ratings				
Insulation Class	180 (H)			
Coil Temperature Code	C			
Benchtop Coil Rise	82.9			
Power Factor (%) HPF	90			
Input Watts	1100 W			
Efficiency				
NOM. Open Circuit Voltage	430			
Input Voltage At Lamp Dropout	385			
Min Ambient Starting Temp	-40°F/-40°C			
60 HZ TEST PROCEDURES				
High Potential Test (Volts)				
1 Minute	2,000 V			
1 Second	2,400 V			
Open Circuit Voltage Test (V)	385 - 475			
Short Circuit Current Test (A)				
Secondary Current	Min 6.35			
	Max 7.80			
Input Current	Min 1.80			
	Max 2.80			
CORE and COIL Specifications				
Dimension (A)	3.90 in			
Dimension (B)	5.90 in			
Weight	28.8 lb's			
Lead Lengths	12 "			
Capacitor Requirement				
Microfarads	26.0 uf			
Volts (Min)	525 V			



Capacitor:	ACB2640V	Ignitor:	BVS-020
Microfarads:	26.0 uf	Case Temp (Max):	105 °C
Volts (Max):	525 V	BTL Distance (Max)	2 ft

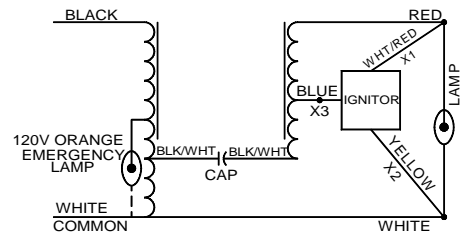
Case Temp (Max) 100 °C
 Height (Max): 4.37 in
 Dia (Max): 1.97 in
 Oval Width (Max): 2.97 in



Ordering Information Add Suffix for options
 C - With Oil-Filled Capacitor
 CB - With Oil-Filled Capacitor and Welded Bracket
 B - With Welded Bracket, no Capacitor
 K - Prewired, with Oil-Filled Capacitor and Bracket Kit

Data is based upon tests performed by Venture Lighting in a controlled environment and is representative of relative performance. Actual performance can vary depending on operating conditions. Specifications are subject to change without notice.

5/11/2018 **Production** Coil Material (PRI/SEC): Cu / Cu



RoHS