

BALLAST SPECIFICATION

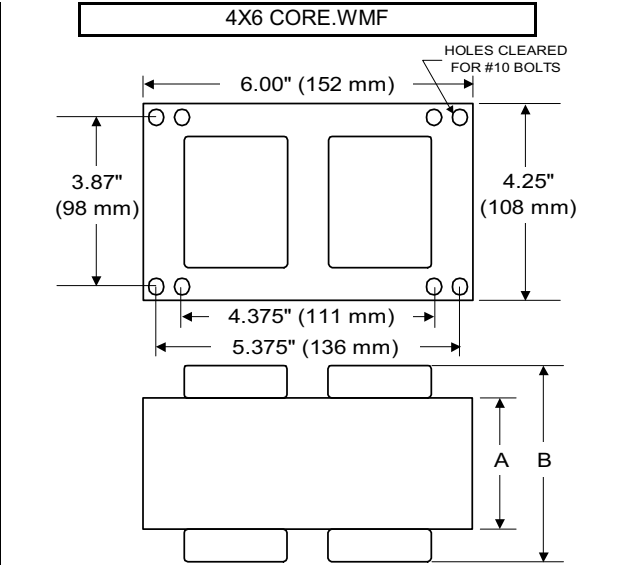
1000W M47

Metal Halide

V90Y6517T

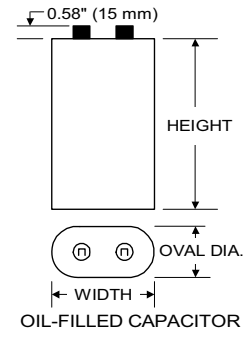
60 Hz CWA

Input Volts	480				
Line Current (Amps)					
Operating	2.30				
Open Circuit	1.55				
Starting	1.55				
Recommended Fuse (Amps)	6				
Regulation					
Line Volts	±10%				
Lamp Watts	±10%				
Temperature Ratings					
Insulation Class	180 (H)				
Coil Temperature Code	D				
Benchtop Coil Rise	88.7				
Power Factor (Min)	90%				
Input Watts	1085 W				
Efficiency					
NOM. Open Circuit Voltage	420				
Input Voltage At Lamp Dropout	260				
Min Ambient Starting Temp	-20°F/-30°C				
60 HZ TEST PROCEDURES					
High Potential Test (Volts)					
1 Minute	2,000 V				
1 Second	2,400 V				
Open Circuit Voltage Test (V)	375 - 460				
Short Circuit Current Test (A)					
Secondary Current	Min 4.30 Max 6.40				
Input Current	Min 1.25 Max 1.85				
CORE and COIL Specifications					
Dimension (A)	2.80 in				
Dimension (B)	4.90 in				
Weight	18.5 lb's				
Lead Lengths	12"				
Capacitor Requirement					
Microfarads	24.0 uf				
Volts (Min)	480 V				



Capacitor: ACB2200V	Ignitor: None
----------------------------	----------------------

Microfarads: 24.0 uf
 Volts (Max): 480 V
 Case Temp (Max): 100 °C
 Height (Max): 4.03 in
 Dia (Max): 1.97 in
 Oval Width (Max): 2.97 in



**This Ballast
Does Not
Require
An Ignitor**

Ordering Information Add Suffix for options

- C - With Capacitor
- K - Prewired, with Capacitor and Bracket Kit
- B - With Welded Bracket, no cap
- CB - With Capacitor and Welded Bracket

Coil material: primary Cu and secondary Al

RoHS compliant on all manufactured products after August 1, 2007

Data is based upon tests performed by Venture Lighting in a controlled environment and is representative of relative performance. Actual performance can vary depending on operating conditions. Specifications are subject to change without notice.

10/31/2007 Production



RoHS

