

## BALLAST SPECIFICATION

# 320W M132 / M154

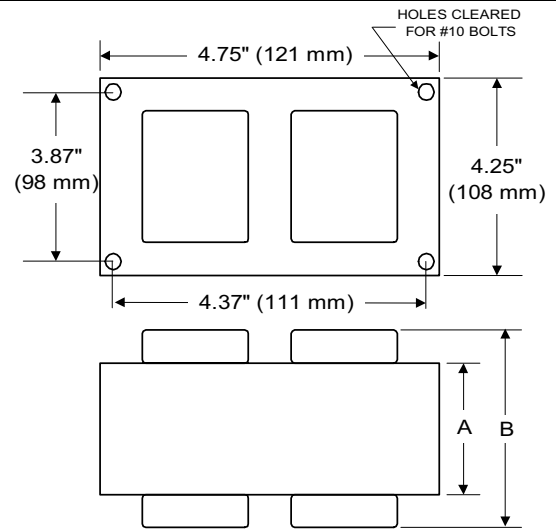
**Pulse Start Metal Halide**

**V90Y7412T**

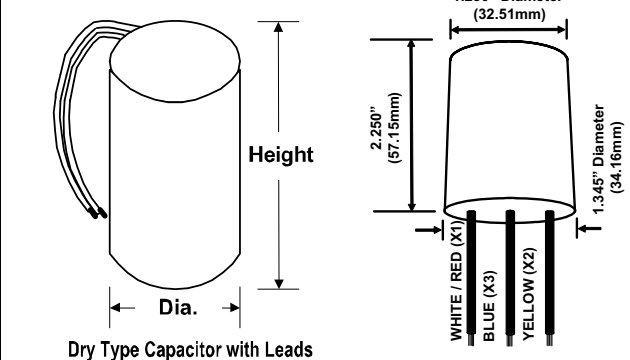
**60 Hz CWA**

<b>Input Volts</b>	480		
<b>Line Current ( Amps )</b>			
Operating	0.80		
Open Circuit	0.40		
Starting	0.65		
<b>Recommended Fuse (Amps)</b>	3		
<b>Regulation</b>			
Line Volts	±10%		
Lamp Watts	±9%		
<b>Temperature Ratings</b>			
Insulation Class	180 (H)		
Coil Temperature Code	A		
Benchtop Coil Rise	74.8		
<b>Power Factor (Min)</b>	90%		
<b>Input Watts</b>	365 W		
<b>Efficiency</b>	88%		
<b>NOM. Open Circuit Voltage</b>	280		
<b>Input Voltage At Lamp Dropout</b>	300		
<b>Min Ambient Starting Temp</b>	-20°F/-30°C*		
<b>60 HZ TEST PROCEDURES</b>			
<b>High Potential Test (Volts)</b>			
1 Minute	2,000 V		
1 Second	2,400 V		
<b>Open Circuit Voltage Test (V)</b>	250 - 305		
<b>Short Circuit Current Test (A)</b>			
Secondary Current	Min 3.00 Max 3.65		
Input Current	Min 0.50 Max 0.75		
<b>CORE and COIL Specifications</b>			
Dimension (A)	2.00 in		
Dimension (B)	4.10 in		
Weight	10.5 lb's		
Lead Lengths	12"		
<b>Capacitor Requirement</b>			
Microfarads	22.0 uf		
Volts (Min)	330 V		

### 4X4 CORE - HX, CWA CWI UNITS



<b>Capacitor:</b> ACG306	<b>Ignitor:</b> BVS-041
Microfarads: 22.0 uf	Case Temp (Max): 105 °C
Volts (Max): 330 V	BTL Distance (Max): 2 ft
Case Temp (Max): 100 °C	
Height (Max): 3.68 in	
Dia (Max): 1.62 in	



**Ordering Information**    Add Suffix for options

C - With Capacitor  
 K - Prewired, with Capacitor and Bracket Kit  
 B - With Welded Bracket, no cap  
 CB - With Capacitor and Welded Bracket

\* -40°F/-40°C Min Ambient Starting Temp with Venture Lamp  
 Coil material: primary Cu and secondary Al

RoHS compliant on all manufactured products after August 1, 2007

Data is based upon tests performed by Venture Lighting in a controlled environment and is representative of relative performance. Actual performance can vary depending on operating conditions. Specifications are subject to change without notice.

**9/26/2008    Production**

**Complies with the Energy Independence and Security Act of 2007 and California Title 20 Appliance Efficiency Regulations**

**RoHS**

The wiring diagram shows a 120V ORANGE EMERGENCY LAMP connected to a transformer. The primary has terminals BLACK, WHITE COMMON, and BLK/WHT. The secondary has terminals RED, WHITE/RED X1, BLUE X3, and YELLOW X2. A CAP (capacitor) is connected between the secondary and primary. An IGNITOR is connected between the secondary and primary. A LAMP is connected between the secondary and primary.