

# BALLAST SPECIFICATION

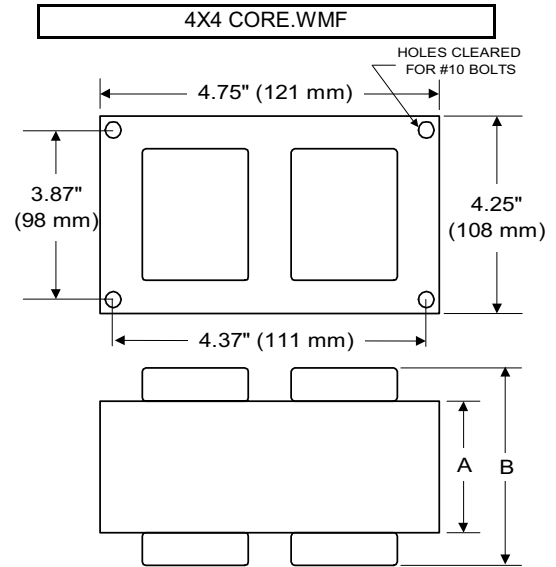
## 450W M144

Pulse Start Metal Halide

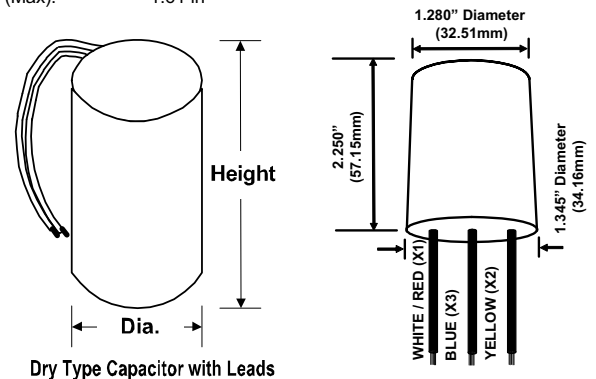
V90Y8512T

60 Hz CWA

Input Volts	480		
Line Current ( Amps )			
Operating	1.10		
Open Circuit	0.55		
Starting	0.85		
Recommended Fuse (Amps)	3		
Regulation			
Line Volts	±10%		
Lamp Watts	±10%		
Temperature Ratings			
Insulation Class	180 (H)		
Coil Temperature Code	C		
Benchtop Coil Rise	84.3		
Power Factor (Min)	90%		
Input Watts	509 W		
Efficiency	88%		
NOM. Open Circuit Voltage	255		
Input Voltage At Lamp Dropout	250		
Min Ambient Starting Temp	-20°F/-30°C*		
60 HZ TEST PROCEDURES			
High Potential Test (Volts)			
1 Minute	2,000 V		
1 Second	2,400 V		
Open Circuit Voltage Test (V)	230 - 280		
Short Circuit Current Test (A)			
Secondary Current	Min 4.15 Max 5.05		
Input Current	Min 0.65 Max 1.95		
CORE and COIL Specifications			
Dimension (A)	2.30 in		
Dimension (B)	4.40 in		
Weight	14.5 lb's		
Lead Lengths	12"		
Capacitor Requirement			
Microfarads	32.0 uf		
Volts (Min)	300 V		



Capacitor: ACG320	Ignitor: BVS-041
Microfarads: 32.0 uf	Case Temp (Max): 105 °C
Volts (Max): 330 V	BTL Distance (Max): 2 ft
Case Temp (Max): 100 °C	
Height (Max): 4.68 in	
Dia (Max): 1.61 in	



Dry Type Capacitor with Leads

Ordering Information Add Suffix for options

- C - With Capacitor
- K - Prewired, with Capacitor and Bracket Kit
- B - With Welded Bracket, no cap
- CB - With Capacitor and Welded Bracket

\* -40°F/-40°C Min Ambient Starting Temp with Venture Lamp  
Coil material: primary Cu and secondary Al

RoHS compliant on all manufactured products after August 1, 2007

Data is based upon tests performed by Venture Lighting in a controlled environment and is representative of relative performance. Actual performance can vary depending on operating conditions. Specifications are subject to change without notice.

**12/15/2008 Production**



**Complies with the Energy Independence and Security Act of 2007 and California Title 20 Appliance Efficiency Regulations**



**RoHS**

