

SYLVANIA

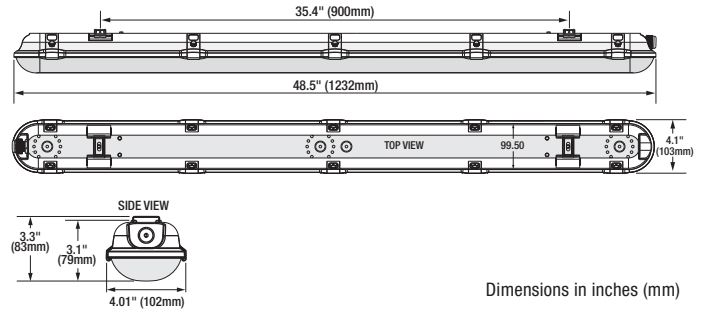
LEDVANCE Luminaires

Vapor Tight



Catalog #	Type
Project	
Notes	
Date	
Prepared by	

Dimensions



Product Features

The Vapor Tight luminaires are environmentally preferable LED alternatives to traditional HID or fluorescent luminaires, offering up to 45% in energy savings. Ideal in place of traditional luminaires, or as new installations, the Vapor Tight series is suitable for illuminating garages, stairwells, industrial areas, canopies, and outdoor walkways.

The Vapor Tight luminaires are IP65 rated and are offered with integrated sensor and emergency backup options. LEDVANCE luminaires assure optimum light engine performance for extended service and rated life (≥66,000 hours L₇₀).

Wattage Comparison Chart

Vapor Tight

Traditional Source	Traditional System Wattage	LED System Wattage	Energy Savings
2 F28 T8	50	50	0%
2 F32 T8	54	50	7%
1 F96 T12	86	50	42%
70W HPS	91	50	45%

Specifications

Weight: 4.8 lbs (2.2 kg) Standard 5.5 lbs (2.5 kg) Emergency
 5.1 lbs (2.3 kg) Sensor 5.8 lbs (2.6 kg) Sensor and Emergency

Construction: One-piece polycarbonate housing with one-piece polycarbonate lens and stainless steel clips. The standard color is gray.

LED System: LED system with a life rating of ≥66,000 hours (UNV) and ≥84,000 hours (HUV) at L₇₀ @25°C. Luminaire efficacy up to 111 LPW.

Electrical: Offered in 50 Watts, the luminaire is designed to operate through the 120V-277V_{AC} universal voltage and 347-480V_{AC} high universal voltage range. The LED driver has a 2.5kV inherent surge suppression and is a constant current device, meeting UL1310 and UL48 Class 2 with built-in over temperature protection. The power factor is ≥90% and THD is ≤20%.

Dimming: The driver is 0-10V dimmable (down to 6%). Please reference the dimmer compatibility document (LEDLUM012).

Color Characteristics: CRI>80; CCT of 4000K or 5000K.

Optics: Type V distribution with a clear etched polycarbonate lens.

Installation: Luminaire mounts to recessed outlet box or can be surface or chain mounted (chain not included). Connector available for tandem wiring.

Operating Temperature: -40°F to +104°F (-40°C to +40°C);
 EM: +14°F to +104°F (-10°C to +40°C).

Listings: cULus listed to UL1598 standards for wet locations and IP65 rated.

Warranty: Standard 5-year luminaire warranty (LEDLUM001).

Note: Specifications subject to change without notice. IES files available online.



Ordering Guide

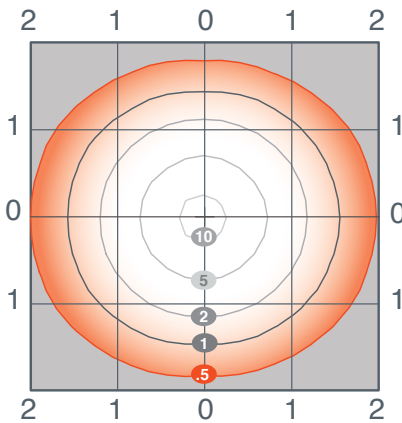
Item Number:

VAPOR	1A	/	040	XXX	D	8	XX	/	48	EC	/	GR	/	XX
Product Name	Generation	Wattage	Voltage	Dimming	CRI	Color Temp (CCT)	Size	Optics	Color/Finish	Options				
VAPOR	1A	050 = 50 Watts	UNV = 120-277V HUV = 347-480V	D = 0-10V	8 ≥ 80	40 = 4000K 50 = 5000K	48 = 48" Long	EC = Etched Lens Type V Distribution	GR = Gray	Blank = No Option D = Motion/Daylighting Sensor E = Emergency				

Photometric Data

VAPOR1A/050UNVD8X0

Isofootcandle Lines at 12' Mounting Height



Fixture Spacing Chart

	VAPOR1A/050UNVD840/48EC/GR			VAPOR1A/050UNVD850/48EC/GR		
	On Center Fixture Spacing			On Center Fixture Spacing		
	8'x10'	10'x10'	10'x12'	8'x10'	10'x10'	10'x12'
8'	65.6	51.2	40.2	66.6	52	40.9
10'	63.6	49.9	39.2	64.7	50.6	39.8
12'	63.4	48.3	38.1	64.3	49.1	38.7
14'	61.7	47.3	37.2	62.7	48	37.8
16'	55.5	46.3	36.2	56.4	47	36.8
18'	53.9	44.7	35.3	54.8	45.4	35.9

Average Illuminance (fc) at 0° AFF.
80/50/20 reflectances.

For other mounting heights apply the following multipliers:

Mounting Height	8'	10'	12'	15'	16'	18'
Multiplier	2.25	1.44	1.00	0.73	0.56	0.44

Ordering Information

Item Number	Ordering Abbreviation	Power (W)	Input Voltage	Dimming	CRI	Color Temp (CCT)	Optics	Total Fixture Lumens	LPW*	DLC**	Options
74222	VAPOR1A/050UNVD840/48EC/GR	50	120-277V	0-10V	>80	4000K	Etched Lens Canopy	5000	102	Std	—
74223	VAPOR1A/050UNVD850/48EC/GR	50	120-277V	0-10V	>80	5000K	Etched Lens Canopy	5000	103	Std	—
74224	VAPOR1A/050UNVD840/48EC/GR/D	50	120-277V	0-10V	>80	4000K	Etched Lens Canopy	5000	102	Std	Sensor
74225	VAPOR1A/050UNVD850/48EC/GR/D	50	120-277V	0-10V	>80	5000K	Etched Lens Canopy	5000	103	Std	Sensor
74226	VAPOR1A/050UNVD840/48EC/GR/E	50	120-277V	0-10V	>80	4000K	Etched Lens Canopy	5000	102	Std	Emergency
74227	VAPOR1A/050UNVD850/48EC/GR/E	50	120-277V	0-10V	>80	5000K	Etched Lens Canopy	5000	103	Std	Emergency
74228	VAPOR1A/050UNVD840/48EC/GR/DE	50	120-277V	0-10V	>80	4000K	Etched Lens Canopy	5000	102	Std	Sensor, Emergency
74229	VAPOR1A/050UNVD850/48EC/GR/DE	50	120-277V	0-10V	>80	5000K	Etched Lens Canopy	5000	103	Std	Sensor, Emergency
74552	VAPOR1A/050HUV840/48EC/GR	50	347-480V	0-10V	>80	4000K	Etched Lens Canopy	5700	111	Std	—
74553	VAPOR1A/050HUV850/48EC/GR	50	347-480V	0-10V	>80	5000K	Etched Lens Canopy	5700	111	Std	—

*LPW per LM79 report.

**Prim for DLC Premium; Std for DLC Standard

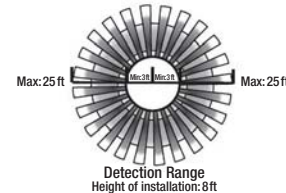
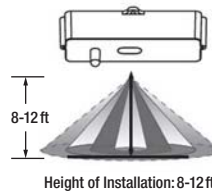
For further information and to learn more about utility rebates, contact your local SYLVANIA sales representative.

Options Information

Sensor: Motion and Daylight sensors are both available.

Motion Sensor (Default Setting):

Motion	100% lumen output
≥5min with no motion	30% lumen output
≥30min with no motion	Off



Daylight (Default Setting): 5fc/24H

Purchase remote control to create a preferred setting.

Emergency Battery Backup:

Activates when normal power supply to the fixture fails, providing a minimum of 500 lumens for at least 90 minutes.

Accessories and Replacement Parts

Item Number	Ordering Abbreviation	Item Description
74310	VAPOR1A/REMOTE	Vapor Tight Sensor Remote
74448	VAPOR1A/LENS/48EC	Replacement Lens
74920	VAPOR1A/CONN/BL	Vapor Tight Connector