

# LEDVANCE Luminaires

## DUAL SELECTABLE VOLUMETRIC 6A TROFFER

VALUE CLASS

### Application

The Volumetric 6A Troffer is offered in three sizes (1'x4', 2'x2', and 2'x4') and is ideal for illuminating offices, retail spaces, hallways, healthcare applications, multipurpose rooms and hospitality areas.

### Benefits and Features

- Lumen and CCT selectability offer the ultimate in versatility for a large variety of applications and installations
  - 1x4: 20/24/28/32 wattage selectable
  - 2x2: 20/24/28/32 wattage selectable
  - 2x4: 24/32/39/44 wattage selectable
  - 2x4: 49/59/69 wattage selectable
- All versions are 3500/4000/5000K CCT Selectable
- Sensor base built into each fixture enables the simple field installation of optional PIR motion sensors
- Up to 125 LPW
- DLC 5.1
- Ideal in retrofit and new construction applications
- Driver includes 12V auxiliary output
- Optional flange kits and surface mount kits available
- Optional emergency backup battery
- Compatible with field installable LINK™ components

### Electrical

- 120-347V
- 0-10V Dimming
- 2.5kV Surge Protection
- Power Factor >90%
- THD <20%
- UL Damp Rated

### Rated Life

- 150,000 hours (L<sub>70</sub>)

### Warranty

- 5-year
- NLB Trusted Warranty Program

### Ambient Operating Range

- -4°F to +104°F (-20°C to +40°C)



### Wattage Comparison

Traditional Source	Traditional System Wattage	LED System Wattage	Energy Savings	Fixture Size
1x32 T8	28	20	29%	1x4; 2x2
2x28W T8	49	24	51%	1x4; 2x2; 2x4
2x32W T8	56	28	50%	1x4; 2x2
2x32W T8	56	32	43%	1x4; 2x2; 2x4
3x28W T8	64	39	39%	2x4
3x32W T8	75	39	48%	2x4
3x32W T8	75	44	41%	2x4
2x54W T5	87	49	44%	2x4
4x28W T8	97	59	32%	2x4
2x54W T5	87	49	44%	2x4
4x28W T8	97	59	38%	2x4
4x28W T8	97	69	29%	2x4
4-lamp 32T8	112	69	38%	2x4

### Certifications and Listings

- cULus
- RoHS
- FCC
- DLC 5.1

### Unique Selling Points

- Dual selectable
- Field installable PIR Motion Sensors
- 120-347V operating voltage range
- 12V Aux output

### Installation

- Luminaire lays in standard 15/16" and 9/16" T-grid ceilings

### Mounting Accessories

- Optional surface mount kits and flange kits



Catalog #	Type
Project	
Comments	
Prepared by	

### Ordering Guide

VOLUME	6A	/ SOXX	UNX	D	8	SC7	/ XX	U	/ WH	/ X
Product Name	Generation	Wattage	Input Voltage	Dimming	CRI	Selectable CCT	Size	Mounting	Color	Option
Volumetric Troffer	6A = Generation 6A	032 = 32W 044 = 44W Selectable Wattage S032 = 20/24/28/32W S044 = 24/32/39/44W S069 = 49/59/69W	UNV = 120-277V UNH = 120-347V	D = 0-10V dimming	8 = 80+	SC7 = 3500/4000/5000K	14 = 1x4 22 = 2x2 24 = 2x4	U=15/16" and 9/16" T-grid ceilings	WH = White	E = Emergency Battery Back-up A3 = Lutron Vive Sensor

### Ordering Information

Item Number	Ordering Abbreviation	Dimensions	Wattage (W)	Lumen Selection	CCT Selection	CRI	Voltage	LPW	Dimming	DLC	Options
62532	VOLUME6A/S032UNHD8SC7/14U/WH	1x4	20/24/28/32	2500/3000/3500/4000	3500/4000/5000K	>80	120-347V	125	0-10V	5.1	–
62827	VOLUME6A/S032UNHD8SC7/14U/WH/E	1x4	20/24/28/32	2500/3000/3500/4000	3500/4000/5000K	>80	120-347V	125	0-10V	5.1	Emergency Battery Back-up*
64287	VOLUME6A032UNVD8SC714UWHA3	1x4	32	4000	3500/4000/5000K	>80	120-277V	125	0-10V	5.1	Lutron Vive Sensor
62533	VOLUME6A/S032UNHD8SC7/22U/WH	2x2	20/24/28/32	2500/3000/3500/4000	3500/4000/5000K	>80	120-347V	125	0-10V	5.1	–
62828	VOLUME6A/S032UNHD8SC7/22U/WH/E	2x2	20/24/28/32	2500/3000/3500/4000	3500/4000/5000K	>80	120-347V	125	0-10V	5.1	Emergency Battery Back-up*
64288	VOLUME6A032UNVD8SC722UWHA3	2x2	32	4000	3500/4000/5000K	>80	120-277V	125	0-10V	5.1	Lutron Vive Sensor
66231	VOLUME6A032UNVD8SC724UWHA3	2x4	32	4000	3500/4000/5000K	>80	120-347V	125	0-10V	5.1	Lutron Vive Sensor
62534	VOLUME6A/S044UNHD8SC7/24U/WH	2x4	24/32/39/44	3000/4000/4875/5500	3500/4000/5000K	>80	120-347V	125	0-10V	5.1	–
62829	VOLUME6A/S044UNHD8SC7/24U/WH/E	2x4	24/32/39/44	3000/4000/4875/5500	3500/4000/5000K	>80	120-347V	125	0-10V	5.1	Emergency Battery Back-up*
64289	VOLUME6A044UNVD8SC724UWHA3	2x4	44	5500	3500/4000/5000K	>80	120-277V	125	0-10V	5.1	Lutron Vive Sensor
62535	VOLUME6A/S069UNHD8SC7/24U/WH	2x4	49/59/69	5625/7375/8625	3500/4000/5000K	>80	120-347V	125	0-10V	5.1	–
62830	VOLUME6A/S069UNHD8SC7/24U/WH/E	2x4	49/59/69	5625/7375/8625	3500/4000/5000K	>80	120-347V	125	0-10V	5.1	Emergency Battery Back-up*

\* = EMBB provides 1000 lumens for a period of at least 90 minutes.

### Accessories

Item Number	Ordering Abbreviation	Description
62782	SMK6A/14/WH	1x4 Surface Mount Kit
62783	SMK6A/24/WH	2x4 Surface Mount Kit
62784	SMK6A/22/WH	2x2 Surface Mount Kit
62785	FK6A/14G/WH	1x4 Flange Kit
62786	FK6A/24G/WH	2x4 Flange Kit
62787	FK6A/22G/WH	2x2 Flange Kit
62711	VOLUME/PIR/MOTIONDAYSENSOR1*	Field installable PIR Motion/Daylight Sensor
65305	STRIP2A/REMOTE	Remote with screen for PIR Sensor

\*Sensor default settings can only be changed with optional remote 65305

### Default sensor settings\*

- Detection Area:** 100%
- Hold Time:** 5 Minutes
- Daylight Threshold:** 50 Lux
- Stand-by Period:** 30 Minutes
- Stand-by Dimming:** 30%

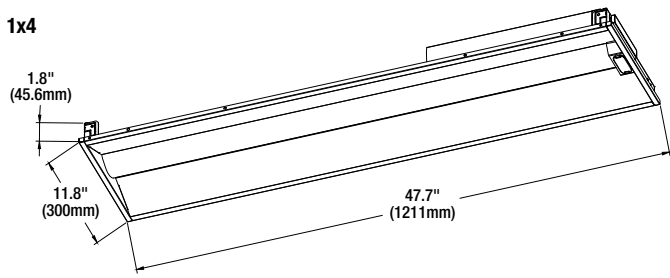
\*Note: Sensor default settings can only be achieved using the optional remote – NAED 65305

### Sensor Remote

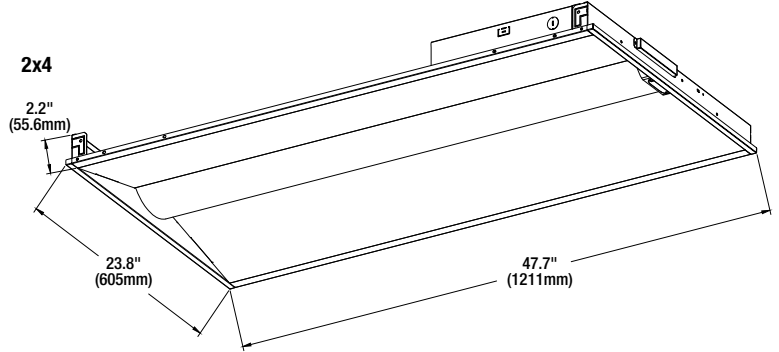


## Physical Information

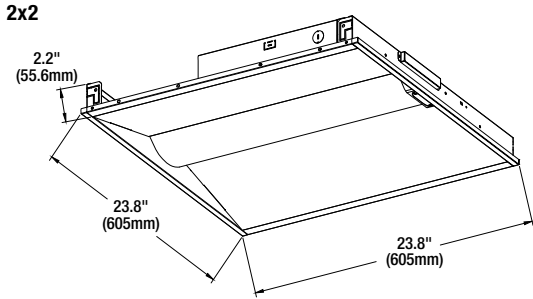
1x4



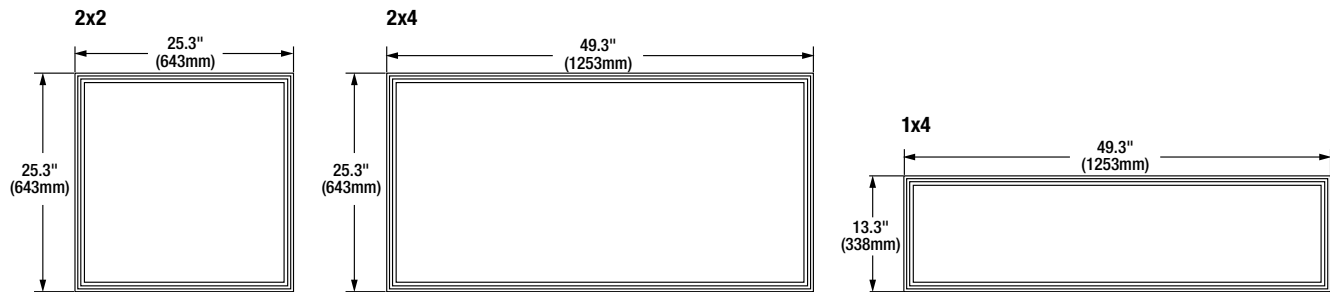
2x4



2x2



## Flange Kit Dimensions



## Flange Kit Cutout Specifications

Size	Length (in)	Width (in)
2x2	24.65	24.65
2x4	48.62	24.65
1x4	48.62	12.43

## Flange Kits

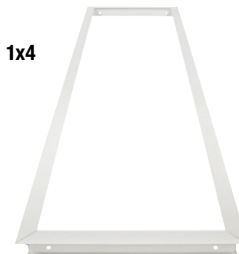
2x2



2x4



1x4



## Surface Mount Kits

2x2



2x4



1x4



## Optional LEDVANCE LINK™ Accessories

Field Installable components compatible with Volumetric 6A Troffer



OR



**Bluetooth Connectivity**

**Bluetooth Connectivity Plus Daylight/Motion Sensors**

### Benefits and Features

- The LEDVANCE LINK Bluetooth Mesh field installable components allows for 6A Volumetric Troffers to become Bluetooth Mesh enabled and be controlled via the LEDVANCE LINK app or LEDVANCE LINK Wireless Wall Switch
- The LEDVANCE LINK Controller (62631) or Powerpack (62632) must be installed inside the fixture driver box or in a 1/2" knockout
- The Ceiling Sensor (62633), paired with the 62632 Powerpack, must be installed in a ceiling panel near the 6A Volumetric Troffer
- Control using either the LEDVANCE LINK smart phone app or the wireless wall switch (62636)

### Ordering Information

Item Number	Ordering Abbreviation	Description
62631	POWERPACKOUT/2.5AUNV/BLE	Bluetooth Mesh Line Voltage Controller
62632	POWERADAPTSENSOROUT/12V/UNV	Line Voltage Fixture Powerpack/Controller with 12VDC AUX
62633	SENSORCEILING/PIR12V/BLE	Bluetooth Mesh Low Voltage Ceiling Sensor & Controller
62636	WALLSWITCH5KEYBLE	Bluetooth Mesh Low Voltage 5 Button Switch



Click or scan QR code for more information on LEDVANCE LINK



COMMISSIONING GUIDE



62631



62632 + 62633

LEDVANCE LLC  
 181 Ballardvale Street, Suite 203  
 Wilmington, MA 01887 USA  
 Phone 1-800-LIGHTBULB (1-800-544-4828)  
 www.ledvanceUS.com

LEDVANCE is a registered trademark. The Bluetooth® word mark and logos are registered trademarks owned by the Bluetooth SIG, Inc. and any use of such marks by LEDVANCE LLC is under license. All other trademarks are those of their respective owners. Specifications subject to change without notice.



SCAN TO FOLLOW US ON SOCIAL MEDIA

