

DESCRIPTION

The VT4 Series is an energy efficient industrial Vaportite fixture that features rugged and durable construction. The VT4 incorporates a full metal tray inside a reinforced fiberglass housing with a high impact diffuser. This Vaportite series is suitable for interior and exterior applications and can be chain or cable mounted.

The VT4 Series has been designed for maximum operation in commercial institutional and industrial environments where weathering, high temperature, humidity and dust or corrosive fumes are present.

Catalog #		Type
Project		
Comments		Date
Prepared by		

SPECIFICATION FEATURES

Construction

Fiberglass reinforced polyester housing is UL94 and UL746 5VA flammability rated. Rounded housing allows for easy cleaning during high pressure hose down. Watertite hubs for 1/2" conduit entry is provided at each end of housing (standard) for continuous feed. Continuous closed cell gasketing is formed inside the housing ledge, providing a continuous seamless seal for the diffuser. Stainless steel cam latches hold diffuser tightly for a positive seal between housing, gasketing and diffuser.

Electrical*

Unit has full hinged metal gear tray secured by internal latches for toolless ballast access. Rotor lock lampholders. CBM/ETL Class "P" certified to 70°C. (Cold temperature ballasts are available for less than 0°F starting with EB/PLUS, ER/PLUS ballasts. Electrical components and fixtures are UL/cUL listed for Wet Locations. NEMA 4X, IP65 and IP67 rated, up to 1500 PSI hosedown. NSF certified.

Optics

Available internal specular aluminum reflector.

Shielding

High impact, clear acrylic (standard), or optional 100% polycarbonate lens diffuser.

Mounting

Suspended using two stainless steel mounting bails (included). Optional Y-hook, Y-cable mount is also available. Mounting hardware must be ordered separately.

Compliance

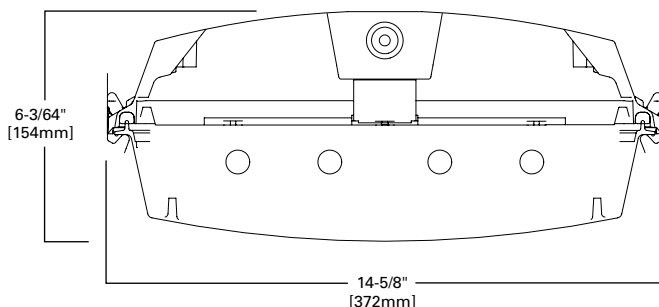
Options to meet Buy American and other domestic preference requirements.



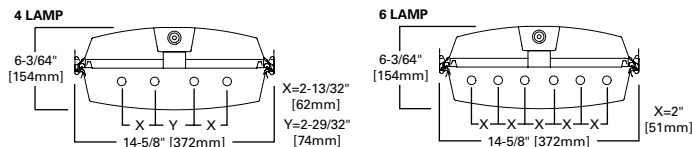
VT4
432
632

4' INDUSTRIAL
4 OR 6 T8 LAMPS

Vaportite Industrial



LAMP CONFIGURATIONS



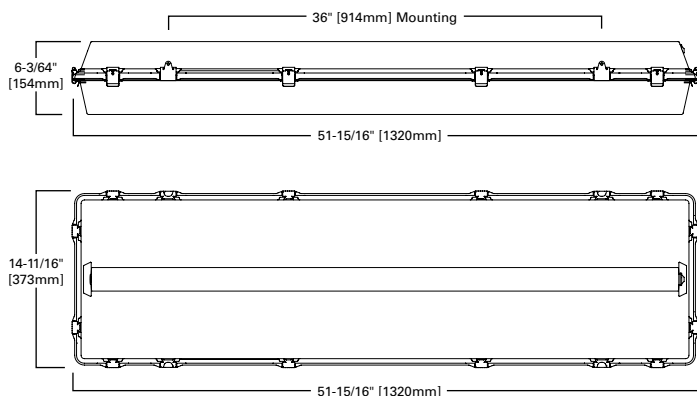
INSTALLATION DATA

SS Latches and Mounting Bail

MOUNTING BAILS
Furnished (Standard)
Stainless steel, Two per 4' Unit



MOUNTING DATA



ENERGY DATA

Input Watts:
EB Ballast & STD Lamps
432=109
632=167

Luminaire Efficacy Rating
LER = FI-73
Catalog Number: VT4-632M
Yearly Cost of 1000 lumens,
3000 hrs at .08 KWH = \$3.29

*Reference the lamp/ballast data in the Technical Section for specific lamp/ballast requirements.

LAMPS CONTAIN MERCURY. DISPOSE ACCORDING TO LOCAL, STATE OR FEDERAL LAWS

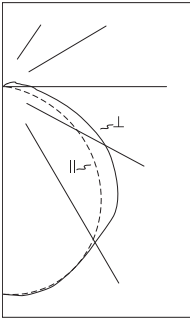
LINEAR DISCONNECT

Safe and convenient means of disconnecting power.

ADF081221

April 27, 2022 10:33 AM

PHOTOMETRICS



VT4-632-M-DR-UNV-EB82-WL-U
 (2) Electronic Ballasts
 (6) 32W T8 lamps
 3100 lumens
 Spacing criterion:
 (H) 1.3 x mounting height, (L) 1.3 x mounting height
 Efficiency 68.8%
 Test Report: VT4632M.IES
 LER =75
 Yearly Cost of 1000 lumens, 3000 hrs at .08 KWH = \$3.20

Candela				
Angle	Along H	45°	Across L	
0	3870	3870	3870	
5	3882	3905	3910	
10	3852	3888	3880	
15	3786	3816	3809	
20	3672	3699	3673	
25	3517	3528	3527	
30	3327	3342	3389	
35	3098	3125	3273	
40	2840	2899	3180	
45	2551	2705	3014	
50	2240	2520	2771	
55	1912	2281	2497	
60	1563	1973	2209	
65	1208	1646	1827	
70	854	1298	1460	
75	529	928	1111	
80	270	635	816	
85	117	444	620	
90	62	378	549	

Coefficients of Utilization

rc	Effective floor cavity reflectance																		
	80%		70%		50%		30%		10%		0%								
rw	70	50	30	10	70	50	30	10	50	30	10	50	30	10	50	30	10	0	
RCR																			
0	81	81	81	81	79	79	79	79	74	74	74	71	71	71	67	67	67	65	
1	73	70	67	64	71	68	65	62	64	62	60	61	59	57	58	56	55	53	
2	66	60	56	51	64	59	54	50	56	52	49	53	50	47	50	48	46	44	
3	60	53	47	42	58	51	46	42	49	44	41	47	43	39	44	41	38	37	
4	55	47	40	36	53	45	40	35	43	38	34	41	37	34	39	36	33	31	
5	51	42	35	31	49	41	35	30	39	34	30	37	32	29	35	31	28	27	
6	47	37	31	27	45	36	31	26	35	30	26	33	29	25	32	28	25	23	
7	43	34	28	23	42	33	27	23	32	26	23	30	26	22	29	25	22	20	
8	40	31	25	21	39	30	25	21	29	24	20	28	23	20	27	23	20	18	
9	38	28	22	19	36	28	22	18	27	22	18	26	21	18	25	21	18	16	
10	35	26	20	17	34	25	20	17	25	20	16	24	19	16	23	19	16	15	

Zonal Lumen Summary

Zone	Lumens	%Lamp	%Fixture
0-30	3076	16.5	24.1
0-40	5059	27.2	39.6
0-60	9168	49.3	71.7
0-90	12131	65.2	94.8
0-180	12791	68.8	100.0

Luminance Data

Angle in Deg	Average	Average	Average
	0-Deg cd/sm	45-Deg cd/sm	90-Deg cd/sm
45	4428	4570	4958
55	3991	4585	4840
65	3287	4244	4475
75	2162	3483	3855
85	1021	3241	3889

ORDERING INFORMATION

SAMPLE NUMBER: VT4-432-M-DR-UNV-EB81-WL-U

Domestic Preferences (6)
 [Blank]=Standard
 BAA=Buy American Act
 TAA=Trade Agreements Act

Series
 VT4=Vaportite
 4/6 Lamp

Number of Lamps
 4=4 Lamps (Not Included)
 6=6 Lamps (Not Included)

Wattage (Length)
 32=32W T8 (48")

Distribution
 M=Medium Beam
 W=Wide Beam (White)

Lens
 DR=Clear Acrylic High Impact (Standard)
 PC=Polycarbonate, Clear

Voltage (1)
 120V=120 Volt (32W & 54W only)
 277V=277 Volt
 347V=347 Volt
 UNV=Universal Voltage 120/277 (2)
 (32W & 54W only)
 UNC=Universal Voltage 347/480 (2), (3)

GL=Single Element Fuse
GM=Double Element Fuse
VT-REM-__ (specify battery)=
 Remote Emergency Enclosure (3)

Ballast Type
T8 Ballasts
EB8 =T8 Electronic Instant Start.
 Total Harmonic Distortion < 10%
 No. of Ballast
 1 or 2
EB8 /PLUS=T8 Electronic Instant Start.(5)
 High Ballast Factor >1.13.
 Total Harmonic Distortion < 10%
 No. of Ballast
 1 or 2
ER8 =T8 Electronic Program Rapid Start.
 Total Harmonic Distortion < 10%
 No. of Ballast
 1 or 2

WL=Wet Label

Packaging
 U=Unit Pack

Options
Blank=(2) End Watertite Hubs (all Watertite Hubs have 1/2" Conduit Entry)
C3=3' Power Cord
C6=6' Power Cord
PC3=3' Power Cord & Plug (Specify Voltage) (4)
PC6=6' Power Cord & Plug (Specify Voltage) (4)
VRS=Vandal Resistant Screws for Latches
MS=Damp Listed Motion Sensor (4)
MSO/WL=Wet Listed Motion Sensor 360° (4)

Accessories (order separately) (7)
Y-TOGGLE-__ -2PK=(2) Y-Toggle Cable Kits (Specify 10 or 30 for length in feet)
VT4-SS-SM=(2) Stainless Steel Surface Mounting Bracket

NOTES: (1) Products also available in non-US voltages and frequencies for international markets. (2) Not available when specifying emergency, voltage must be specific. Exception: EL4 ok with UNV. (3) Rated for operation up to 30°C. (4) Voltage must be specified when ordered with plugs, motion or emergency ballasts. (5) 2/3 lamp ballast configurations in EB8/PLUS only for T8 UNC version. (6) Only product configurations with these designated prefixes are built to be compliant with the Buy American Act of 1933 (BAA) or Trade Agreements Act of 1979 (TAA), respectively. Please refer to DOMESTIC PREFERENCES website for more information. Components shipped separately may be separately analyzed under domestic preference requirements. (7) Accessories sold separately will be separately analyzed under domestic preference requirements. Consult factory for further information.

Specifications & dimensions subject to change without notice. Consult your Cooper Lighting Solutions Representative for availability and ordering information.

SHIPPING DATA

Catalog No.	Wt.
VT4-432DR-WL	19.7 lbs.
VT4-632DR-WL	21 lbs.



Cooper Lighting Solutions
 1121 Highway 74 South
 Peachtree City, GA 30269
 P: 770-486-4800
 www.cooperlighting.com

© 2022 Cooper Lighting Solutions
 All Rights Reserved.
 Specifications and dimensions
 subject to change without notice.