

# LEDVANCE Luminaires

## NON-CUTOFF WALL PACK

PERFORMANCE CLASS

### Application

The Wall Pack luminaires are environmentally preferable LED alternatives to traditional HID luminaires, offering up to 78% in energy savings. Ideal in place of traditional luminaires, or as new installations, the Wall Pack series is offered in several wattages/lumen packages for illuminating building exteriors, outdoor corridors, walkways, and stairwells.

### Benefits and Features

- DLC Premium listing and lumen selectability provide high energy efficacy and optimize this product for utility rebates
- Optional integrated photocell for additional energy savings
- Traditional sizes allow for lowered installation costs
- Up to 151 LPW
- Selectable 3000K, 4000K and 5000K color temperature
- CRI >80
- Offered in 40, 80 and 110 watts
- Energy savings up to 78%

### Electrical

- 120-277V<sub>AC</sub>
- Power Factor >90%
- THD <20%
- 0-10V dimmable
- UV stabilized polycarbonate lens

### Rated Life

- 150,000 hours (L<sub>70</sub>) for 40W and 80W models
- 140,000 hours (L<sub>70</sub>) for 110W model

### Warranty

- 5-year
- NLB Trusted Warranty Program

### Ambient Operating Range

- -40°F to +122°F (-40°C to +50°C)

### Certifications and Listings

- cULus
- RoHS
- FCC/ICES
- IP65 wet location
- DLC 5.1 Premium
- TAA



### Wattage Comparison

Traditional Source	Traditional System Wattage	LED System Wattage	Energy Savings
42W CFL	46	15	67%
35W HPS	45	15	67%
50W MH/HPS	62	15	76%
50W MH/HPS	62	25	60%
70W HPS	91	25	73%
70W HPS	91	40	56%
100W HPS	120	40	67%
100W MH	130	40	69%
70W HPS	91	45	51%
100W HPS	120	45	63%
100W MH	130	45	65%
150W HPS	170	65	62%
150W MH	188	65	65%
175W MH	210	65	69%
175W MH	210	80	62%
250W MH	290	80	72%
250W HPS	295	80	73%
320W MH	370	95	74%
400W HPS	460	110	76%
400W MH	450	110	76%

### Installation

- Luminaire mounts to exterior wall



## Specification Data

Catalog #	Type
Project	
Comments	
Prepared by	

### Ordering Guide

<b>WALPAKN</b>	<b>7A</b>	<b>/</b>	<b>SXXX</b>	<b>UNV</b>	<b>D</b>	<b>8</b>	<b>SC2</b>	<b>/</b>	<b>BZ</b>	<b>/</b>	<b>XX</b>
Product Name	Generation		Wattage	Voltage	Dimming	CRI	Color Temp		Color/Finish		Options
WALPAKN = Non-Cutoff Wall Pack	7A = Generation 7		S040 = 15, 25 or 40W S080 = 45, 65 or 80W S110 = 75, 95 or 110W	UNV = 120-277V	D = 0-10V dimming	8 = >80	SC2 = 3000K, 4000K or 5000K		BZ = Bronze		E = Emergency Battery Back-up P = Photocell PE = Photocell + Emergency Battery Back-up D = Daylight/Motion Sensor

### Ordering Information

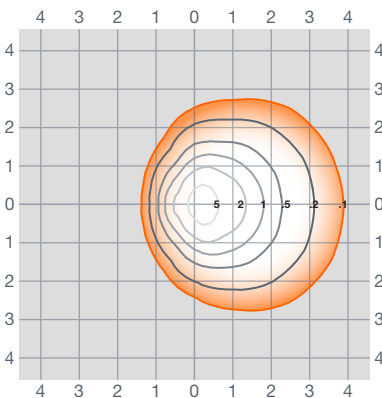
Item Number	Ordering Abbreviation	Wattage (W)	Input Voltage (V)	Dimming	CRI	Color Temperature (CCT)	BUG Rating	Total Fixture Lumens*	LPW	Color	DLC	Options	MTO**
62522	WALPAKN7A/S040UNVD8SC2/BZ/P	15/25/40	120-277	0-10V	>80	3000/4000/5000K	B1-U3-G3	2025/3375/5500	150	Bronze	Premium	Photocell	-
62523	WALPAKN7A/S080UNVD8SC2/BZ/P	45/65/80	120-277	0-10V	>80	3000/4000/5000K	B2-U4-G5	6075/8775/11,000	150	Bronze	Premium	Photocell	-
62524	WALPAKN7A/S110UNVD8SC2/BZ/P	75/95/110	120-277	0-10V	>80	3000/4000/5000K	B3-U5-G5	10,125/12,825/15,000	150	Bronze	Premium	Photocell	-
62908	WALPAKN7A/S040UNVD8SC2/BZ/D	15/25/40	120-277	0-10V	>80	3000/4000/5000K	B1-U3-G3	2025/3375/5500	150	Bronze	Premium	Daylight/Motion Sensor	MTO
62909	WALPAKN7A/S080UNVD8SC2/BZ/D	45/65/80	120-277	0-10V	>80	3000/4000/5000K	B2-U4-G5	6075/8775/11,000	150	Bronze	Premium	Daylight/Motion Sensor	MTO
62910	WALPAKN7A/S110UNVD8SC2/BZ/D	75/95/110	120-277	0-10V	>80	3000/4000/5000K	B3-U5-G5	10,125/12,825/15,000	150	Bronze	Premium	Daylight/Motion Sensor	MTO
63228	WALPAKN7A/S040UNVD8SC2/BZ/PE	15/25/40	120-277	0-10V	>80	3000/4000/5000K	B1-U3-G3	2025/3375/5500	150	Bronze	Premium	Photocell/Emergency	-
63419	WALPAKN7A/S080UNVD8SC2/BZ/PE	45/65/80	120-277	0-10V	>80	3000/4000/5000K	B2-U4-G5	6075/8775/11,000	150	Bronze	Premium	Photocell/Emergency	-
63420	WALPAKN7A/S110UNVD8SC2/BZ/PE	75/95/110	120-277	0-10V	>80	3000/4000/5000K	B3-U5-G5	10,125/12,825/15,000	150	Bronze	Premium	Photocell/Emergency	-

\*Lumens based on 3000K CCT  
\*\*Made To Order

### Photometric Information

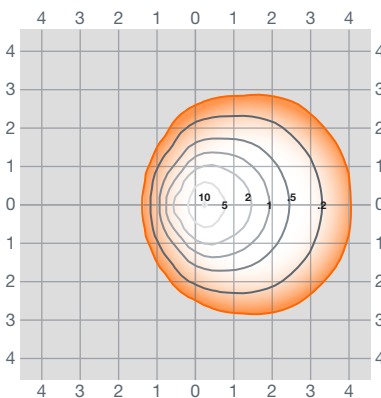
#### 15/25/40W

Isofootcandle Lines at 15' Mounting Height



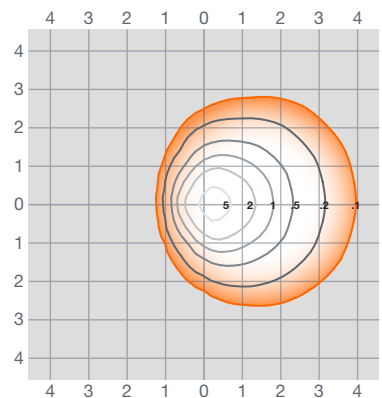
#### 45/65/80W

Isofootcandle Lines at 20' Mounting Height



#### 75/95/110W

Isofootcandle Lines at 25' Mounting Height



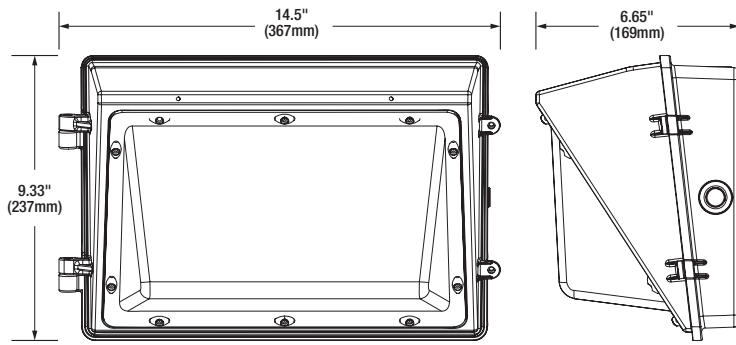
For other mounting heights apply the following multipliers:

Mounting Height	12'	15'	18'	20'	22'
Multiplier	1.56	1.00	0.69	0.56	0.46

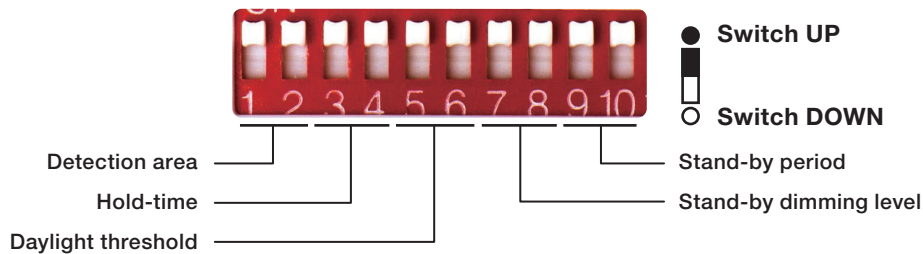
Mounting Height	15'	18'	20'	22'	25'
Multiplier	1.78	1.23	1.00	0.83	0.64

Mounting Height	22'	25'	30'	32'	35'
Multiplier	1.29	1.00	0.69	0.61	0.51

## Physical Information



## DIP Switch Settings for Daylight/Motion Sensor



●	●	100%*
●	○	75%
○	●	50%
○	○	20%

### Detection area (1, 2)

Detection area means detection coverage. It can be adjusted by combining DIP switches for specific application.

●	●	50%
●	○	30%*
○	●	10%
○	○	0%

### Stand-by dimming level (7, 8)

This is the dimming level the light keeps during stand-by period.

●	●	15min
●	○	5min
○	●	1min
●	●	10sec*

### Hold-time (3, 4)

Hold-time means the time period the light will be ON after the last detection.

●	●	60min*
●	○	30min
○	●	1min
○	○	+∞

### Stand-by period (9, 10)

This is the time period the light keeps dimming down after the last detection.

●	●	Disable
●	○	30lux*
○	●	10lux
○	○	Disable

### Daylight threshold (5, 6)

Daylight sensor prior to motion sensor. Set threshold for specific needs. If disabled, only motion sensor works.

\*Default settings from the factory

LEDVANCE LLC  
 181 Ballardvale Street, Suite 203  
 Wilmington, MA 01887 USA  
 Phone 1-800-LIGHTBULB (1-800-544-4828)  
 www.ledvanceUS.com

SYLVANIA and LEDVANCE are registered trademarks.  
 All other trademarks are those of their respective owners.  
 Licensee of product trademark SYLVANIA in general lighting.  
 Specifications subject to change without notice.

