

LEDVANCE Luminaires

WALL PACK PERFORMANCE

PERFORMANCE CLASS

Application

The Wall Pack luminaires are environmentally preferable LED alternatives to traditional HID luminaires, offering up to 78% in energy savings. Ideal in place of traditional luminaires, or as new installations, the Wall Pack series is offered in several wattages/lumen packages for illuminating building exteriors, outdoor corridors, walkways, and stairwells.

Benefits and Features

- DLC Premium listing and lumen selectability provide high energy efficacy and optimize this product for utility rebates
- Integrated photocell for additional energy savings
- Traditional sizes allow for lowered installation costs
- Up to 150 LPW
- Selectable 3000K, 4000K and 5000K color temperature
- Selectable Wattage and Lumens:
15/25/40W: 2,025/3,375/5,500lm
45/65/80W: 6,075/8,775/11,000lm
75/95/110W: 10,125/12,825/15,000lm
- CRI >80
- Offered in 40, 80 and 110 watts
- Energy savings up to 76%

Electrical

- 120-277V_{AC} and 340/480V_{AC}
- Power Factor >90%
- THD <20%
- 0-10V dimmable
- UV stabilized polycarbonate lens

Rated Life

- 150,000 hours (L₇₀) for 40W and 80W models
- 140,000 hours (L₇₀) for 110W model

Warranty

- 5-year
- NLB Trusted Warranty Program

Ambient Operating Range

- -40°F to +122°F (-40°C to +50°C)



Wattage Comparison

Traditional Source	Traditional System Wattage	LED System Wattage	Energy Savings
42W CFL	46	15	67%
35W HPS	45	15	67%
50W MH/HPS	62	15	76%
50W MH/HPS	62	25	60%
70W HPS	91	25	73%
70W HPS	91	40	56%
100W HPS	120	40	67%
100W MH	130	40	69%
70W HPS	91	45	51%
100W HPS	120	45	63%
100W MH	130	45	65%
150W HPS	170	65	62%
150W MH	188	65	65%
175W MH	210	65	69%
175W MH	210	80	62%
250W MH	290	80	72%
250W HPS	295	80	73%
320W MH	370	95	74%
400W HPS	460	110	76%
400W MH	450	110	76%

Certifications and Listings

- cULus
- RoHS
- FCC/ICES
- IP65 wet location
- DLC 5.1 Premium
- TAA

Installation

- Luminaire mounts to exterior wall



Catalog #	Type
Project	
Comments	
Prepared by	

Ordering Guide

WALPAKN	7A	/	SXXX	XXX	D	8	SC2	/	XX	/	XX
Product Name	Generation		Wattage	Voltage	Dimming	CRI	Color Temp		Color/Finish		Options
WALPAKN = Non-Cutoff Wall Pack	7A= Generation 7		S040 = 15, 25 or 40W S080 = 45, 65 or 80W S110 = 75, 95 or 110W	UNV = 120-277V DHV = 347/480V	D = 0-10V dimming	8 = >80	SC2 = 3000K, 4000K or 5000K		BZ = Bronze WH = White		E = Emergency Battery Back-up P = Photocell PE = Photocell + Emergency Battery Back-up D = Daylight/Motion Sensor

Ordering Information

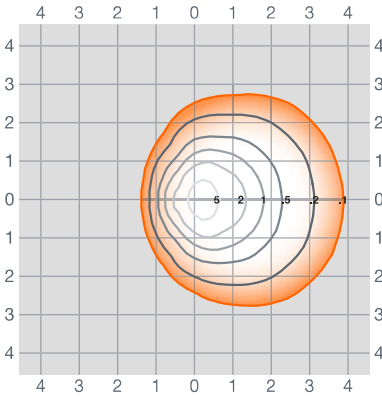
Item Number	Ordering Abbreviation	Wattage (W)	Input Voltage (V)	Dimming	CRI	Color Temperature (CCT)	BUG Rating	Total Fixture Lumens*	LPW	Color	DLC	Options	MTO**
62522	WALPAKN7A/S040UNVD8SC2/BZ/P	15/25/40	120-277	0-10V	>80	3000/4000/5000K	B1-U3-G3	2,025/3,375/5,500	150	Bronze	Premium	Photocell	-
62523	WALPAKN7A/S080UNVD8SC2/BZ/P	45/65/80	120-277	0-10V	>80	3000/4000/5000K	B2-U4-G5	6,075/8,775/11,000	150	Bronze	Premium	Photocell	-
62524	WALPAKN7A/S110UNVD8SC2/BZ/P	75/95/110	120-277	0-10V	>80	3000/4000/5000K	B3-U5-G5	10,125/12,825/15,000	150	Bronze	Premium	Photocell	-
62908	WALPAKN7A/S040UNVD8SC2/BZ/D	15/25/40	120-277	0-10V	>80	3000/4000/5000K	B1-U3-G3	2,025/3,375/5,500	150	Bronze	Premium	Daylight/Motion Sensor	MTO
62909	WALPAKN7A/S080UNVD8SC2/BZ/D	45/65/80	120-277	0-10V	>80	3000/4000/5000K	B2-U4-G5	6,075/8,775/11,000	150	Bronze	Premium	Daylight/Motion Sensor	MTO
62910	WALPAKN7A/S110UNVD8SC2/BZ/D	75/95/110	120-277	0-10V	>80	3000/4000/5000K	B3-U5-G5	10,125/12,825/15,000	150	Bronze	Premium	Daylight/Motion Sensor	MTO
63228	WALPAKN7A/S040UNVD8SC2/BZ/PE	15/25/40	120-277	0-10V	>80	3000/4000/5000K	B1-U3-G3	2,025/3,375/5,500	150	Bronze	Premium	Photocell/ Emergency	MTO
63419	WALPAKN7A/S080UNVD8SC2/BZ/PE	45/65/80	120-277	0-10V	>80	3000/4000/5000K	B2-U4-G5	6,075/8,775/11,000	150	Bronze	Premium	Photocell/ Emergency	MTO
63420	WALPAKN7A/S110UNVD8SC2/BZ/PE	75/95/110	120-277	0-10V	>80	3000/4000/5000K	B3-U5-G5	10,125/12,825/15,000	150	Bronze	Premium	Photocell/ Emergency	MTO
66014	WALPAKN7AS080DHVD8SC2BZP	45/65/80	347/480V	0-10V	>80	3000/4000/5000K	B2U4G5	6,075/8,775/11,000	150	Bronze	-	Photocell	MTO
66015	WALPAKN7AS110DHVD8SC2BZP	75/95/110	347/480V	0-10V	>80	3000/4000/5000K	B3U5G5	10,125/12,825/15,000	150	Bronze	-	Photocell	MTO
66016	WALPAKN7AS080DHVD8SC2BZD	45/65/80	347/480V	0-10V	>80	3000/4000/5000K	B2U4G5	6,075/8,775/11,000	150	Bronze	-	Daylight/Motion Sensor	MTO
66017	WALPAKN7AS110DHVD8SC2BZD	75/95/110	347/480V	0-10V	>80	3000/4000/5000K	B3U5G5	10,125/12,825/15,000	150	Bronze	-	Daylight/Motion Sensor	MTO
62612	WALPAKN7AS040UNVD8SC2WHP 1/CS 1/SKU	15/25/40	120-277	0-10V	>80	3000/4000/5000K	B1-U3-G3	2,025/3,375/5,500	150	White	-	Photocell	MTO
62613	WALPAKN7AS080UNVD8SC2WHP 1/CS 1/SKU	45/65/80	120-277	0-10V	>80	3000/4000/5000K	B2-U4-G5	6,075/8,775/11,000	150	White	-	Photocell	MTO
62614	WALPAKN7AS110UNVD8SC2WHP 1/CS 1/SKU	75/95/110	120-277	0-10V	>80	3000/4000/5000K	B3-U5-G5	10,125/12,825/15,000	150	White	-	Photocell	MTO
66342	WALPAKN7AS040UNVD8SC2WHD 1/CS 1/SKU	15/25/40	120-277	0-10V	>80	3000/4000/5000K	B1-U3-G3	2,025/3,375/5,500	150	White	-	Daylight/Motion Sensor	MTO
66343	WALPAKN7AS080UNVD8SC2WHD 1/CS 1/SKU	45/65/80	120-277	0-10V	>80	3000/4000/5000K	B2-U4-G5	6,075/8,775/11,000	150	White	-	Daylight/Motion Sensor	MTO
66344	WALPAKN7AS110UNVD8SC2WHD 1/CS 1/SKU	75/95/110	120-277	0-10V	>80	3000/4000/5000K	B3-U5-G5	10,125/12,825/15,000	150	White	-	Daylight/Motion Sensor	MTO

*Lumens based on 3000K CCT
**Made To Order

Photometric Information

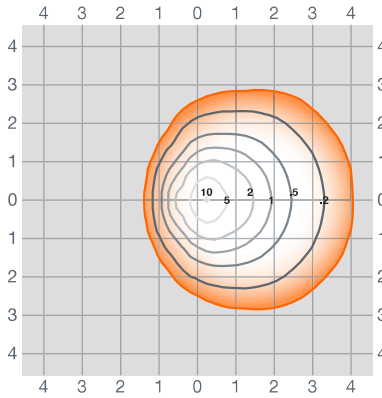
15/25/40W

Isofootcandle Lines at
15' Mounting Height



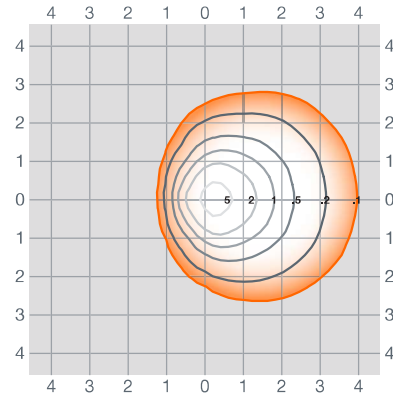
45/65/80W

Isofootcandle Lines at
20' Mounting Height



75/95/110W

Isofootcandle Lines at
25' Mounting Height



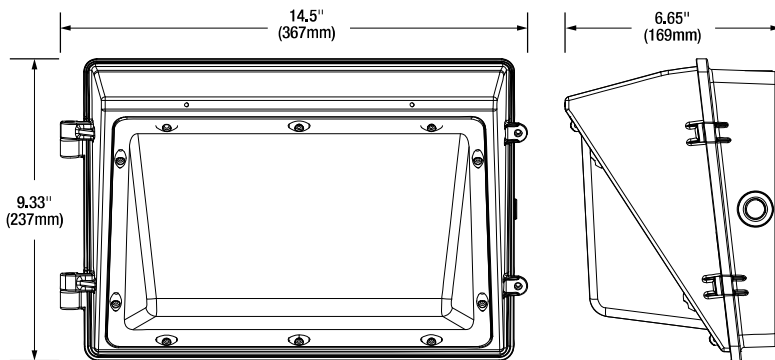
For other mounting heights apply the following multipliers:

Mounting Height	12'	15'	18'	20'	22'
Multiplier	1.56	1.00	0.69	0.56	0.46

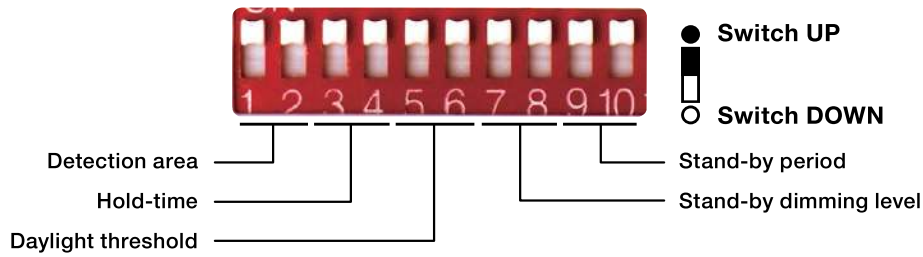
Mounting Height	15'	18'	20'	22'	25'
Multiplier	1.78	1.23	1.00	0.83	0.64

Mounting Height	22'	25'	30'	32'	35'
Multiplier	1.29	1.00	0.69	0.61	0.51

Physical Information



DIP Switch Settings for Daylight/Motion Sensor



●	●	100%*
●	○	75%
○	●	50%
○	○	20%

Detection area (1, 2)

Detection area means detection coverage. It can be adjusted by combining DIP switches for specific application.

●	●	50%
●	○	30%*
○	●	10%
○	○	0%

Stand-by dimming level (7, 8)

This is the dimming level the light keeps during stand-by period.

●	●	15min
●	○	5min
○	●	1min
●	●	10sec*

Hold-time (3, 4)

Hold-time means the time period the light will be ON after the last detection.

●	●	60min*
●	○	30min
○	●	1min
○	○	+∞

Stand-by period (9, 10)

This is the time period the light keeps dimming down after the last detection.

●	●	Disable
●	○	30lux*
○	●	10lux
○	○	Disable

Daylight threshold (5, 6)

Daylight sensor prior to motion sensor. Set threshold for specific needs. If disabled, only motion sensor works.

*Default settings from the factory

LEDVANCE LLC
 181 Ballardvale Street, Suite 203
 Wilmington, MA 01887 USA
 Phone 1-800-544-4828
 LEDVANCE.COM/EN-US

LEDVANCE is a registered trademark.
 All other trademarks are those of their respective owners.
 Specifications subject to change without notice.

© 2026 LEDVANCE LLC

4 of 4

