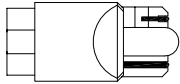
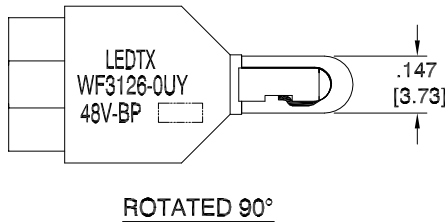
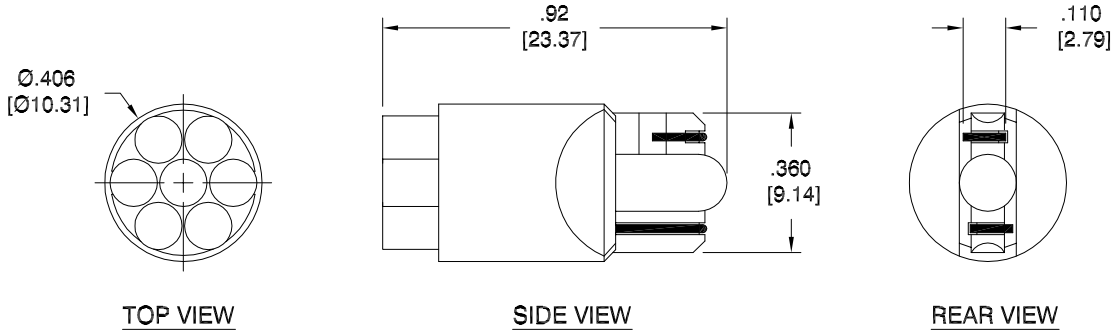


LTR	REVISION	DATE	APPD
B	031121-UF01: REMOVED "MAX" ON OVERALL LENGTH	03-11-21	GP



ACTUAL SIZE



NOTES:

1. ALL DIMENSIONS ARE IN INCHES [MILLIMETERS].
2. SLEEVE MATERIAL / COLOR: RYNITE / YELLOW

**FULL BEAM WIDTH AT 50% INTENSITY

REVISION NOTIFICATION	
<input type="checkbox"/>	DLC
<input type="checkbox"/>	UL/ETL
<input type="checkbox"/>	MADE IN USA
<input type="checkbox"/>	CUSTOMER _____
<input type="checkbox"/>	OTHER
REDLINE CHECKLIST	
<input type="checkbox"/>	REDLINE(YES)
<input type="checkbox"/>	DATE: _____
<input type="checkbox"/>	INITIATED BY: _____
<input type="checkbox"/>	ECR REQUIRED YES <input type="checkbox"/> NO <input type="checkbox"/>
<input type="checkbox"/>	WORK ORDER#

ELECTRICAL-OPTICAL CHARACTERISTICS (Ta = 25°C)

WF3127-0UY-048B	SUPER YELLOW	48Vdc	0.67 W	0.014 A	1.430cd	593	120°	B=Bipolar
LEDTRONICS PART NO.	COLOR EMITTED	INPUT VOLTAGE, V	POWER (W)	CURRENT (A)	MAXIMUM CANDELA	λP nm	VIEWING ANGLE (FULL BEAM WIDTH @ 50% INTENSITY)	CONTACT POLARITY

<p>LEDTRONICS,™ INC. 23105 KASHIWA COURT TORRANCE, CA 90505</p>	<p>-PROPRIETARY- This document contains Proprietary information of LEDTRONICS,™ INC. It may not be copied, used or disclosed for any purpose without the prior express written consent of LEDTRONICS,™ INC.</p>		<p>TITLE WF3127-0UY-048B</p>					
	<p>.XXX ± .010 TOLERANCE PER ANSI-Y14.5 .XX ± .025 (UNLESS OTHERWISE STATED) ANGLES ± 0°,30' FRACT. ± 1/32</p>		DWG NO	SCALE	SHEET	DATE		
			WF3127-48V-BP	2:1	1 OF 1	10-15-15		
		CODE IDENT NO.	DWG BY GP	CHK BY	QA EE	MFG LD	R&D UF	
		8Z410	10-15-15		03-11-21	03-11-21	03-11-21	