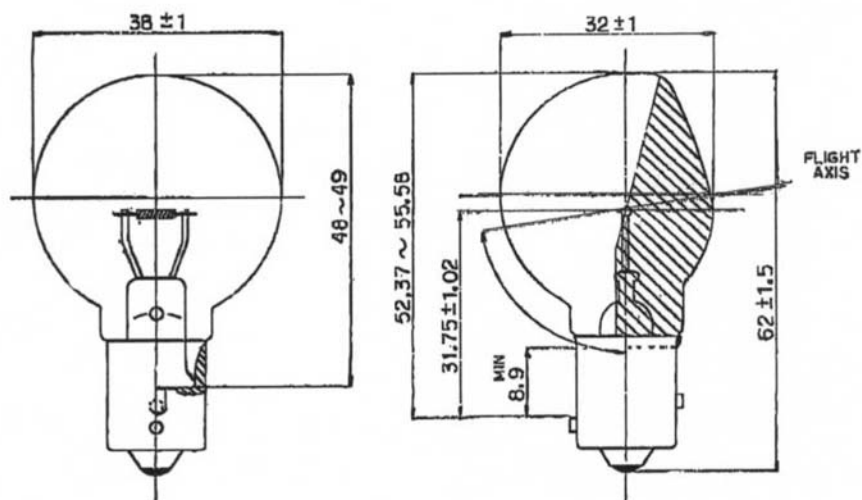


	Envelope Size	Base Type	Rating	Filament Shape
WL-11631	GG-12B	BAY15s	6.2V 40W	C-6

Test Volts	Current (A)			Light Output (MSCP)			Life Hours
	Min.	Nom.	Max.	Min.	Nom.	Max.	
6.2V	6.00	6.45	6.90	See below table			300 Hrs

Dimensional Characteristics:

1. Finish clear, except where reflective surface is required.
2. Reflective coating must conform to the coating adhesion requirements of MIL-L-6363F, paragraph 4.6.6.



Light Distribution:

300 Candle Power minimum on reflector axis
Horizontal and vertical beam spread to 150 Candle Power, 40° minimum.

Title: **GG-12B Aircraft Warning Lamp**
Single Contact Index Bayonet Base
6.2V 40W

Drawn	AP	06/02/09	Notes: Unless otherwise specified, all dimensions are in mm.	Rev: 1
Checked	ELB	06/02/09		
Approved	EB	06/03/09		