

PROJECT NAME: \_\_\_\_\_ CAT. #: \_\_\_\_\_  
 NOTES: \_\_\_\_\_ FIXTURE SCHEDULE: \_\_\_\_\_

# WallMax Full Cutoff Wall Pack

### Product Description:

WallMax Cutoff Wall Packs are a full cutoff architectural wall mounted fixture ideal for commercial offices, schools and other public administrative buildings. It offers a wide range of options including CCT and wattage selectability, integral photocell and c-Max controls ready port.

### Features:

- CCT selectable between 3000K, 4000K or 5000K
- Wattage Selectable versions
- Sealed housing - control nodes are mounted internally without impacting the fixture sealing or aesthetics
- 4 x 1/2" conduit holes, one on each side for surface conduit applications

### Controls Options:

- Integral photocell with on/off switch included standard
- Controls Ready for field installable c-Max controls

### Construction:

- Die Cast Aluminum housing with UV stabilized and vandal resistant polycarbonate LED lens

### Listings:

- UL listed for Wet Locations, Outdoor
- IP65
- DLC Premium
  - Not all product variations listed on this page are DLC qualified.
  - Visit <https://www.designlights.org/search/> to confirm qualification.
- RoHS Compliant



15-28W MODELS



40-100W MODELS



## Ordering Structure

FAMILY	WATTAGE	VOLTAGE	DISTRIBUTION	CCT	FINISH	CONTROLS OPTIONS	EM OPTIONS
WPC= WallMax Cutoff	15*= 15W	U= 120-277V H* = 277-480V <i>* Available in 100W with 84W &amp; 90W switch.</i>	BLANK= Type IV T4*= Type IV <i>* Available in 15W and 70W, 120-277V models only.</i>	CS= 3/4/5K Selectable WCS*= 3/4/5K Selectable, Wattage Selectable <i>* Wattage Selectable available in 20W and above models.</i>	B= Dark Bronze  <i>Contact Maxlite for additional finishes.</i>	CR= Controls Ready - (Standard, see accessories chart for control choices) PC= Photocell - with on/off switch (Standard)  <i>Recommend using fixture PC instead of PC function in c-Max.</i>	BLANK= None E0= Battery Backup 0°C  E2= Battery Backup -20°C  <i>120V-277V only. During EM mode the product will operate at 5000K.</i>
	20= 10/16/20W 28= 15/20/28W 40= 20/30/40W 70= 50/59/70W 100= 84/90/100W <i>* Dedicated Wattage</i>						

## DLC Listings

MODEL NUMBER	ORDER CODE	DLC ID #	MODEL NUMBER	ORDER CODE	DLC ID #
WPC15UT4-CSBPCCR	108415	PIGOLZE3	WPC59U-CSBPCCR	113075	S-F801YV
WPC16U-CSBPCCR	112566	S-G9TDYZ	WPC70U-WCSBPCCR	112570	S-WMHQX7
WPC20U-WCSBPCCR	112567	S-4363L6	WPC84U-CSBPCCR	113199	S-XLRL2C
WPC28U-WCSBPCCR	112568	S-4363L6	WPC100U-WCSBPCCR	112571	S-N84X10
WPC40U-WCSBPCCR	112569	S-HG50P7			












**10-year standard warranty with labor allowance** (further details available at [www.maxlite.com/warranties](http://www.maxlite.com/warranties))

Warranty Limitations: Product must be rated for application per the Product Data Sheet (PDS); operated ≤16 hrs; in ambient temperatures -40°F to 104°F. If ambient temperatures fall outside the -40°F to 104°F range, product is warranted for 5 years according to the operating temperature range specified on the PDS. Up to \$25/unit; registration required. Additional coverage may be available for purchase; contact MaxLite. Excludes EM/MS versions; component warranty applies.



# WallMax Full Cutoff Wall Pack

## Accessories

MODEL #	ORDER CODE	DESCRIPTION	IMAGE
CN-RTMST*	105564	C-MAX RECTANGULAR MOTION SENSOR/PC, REQUIRES REMOTE CONTROL TO PROGRAM	
CN-REMOTE	105567	C-MAX REMOTE CONTROL, AT LEAST ONE REQUIRED PER PROJECT TO PROGRAM MOTION SENSOR	
CEA-RDB	107785	C-MAX EXTERNAL ADAPTER ROUND, BRONZE	
CEA-RDW	106903	C-MAX EXTERNAL ADAPTER ROUND, WHITE	
NN-RDB	105897	C-MAX NETWORK CONTROL NODE ROUND, BRONZE	
NN-RDW	106391	C-MAX NETWORK CONTROL NODE ROUND, WHITE	
NN-RDMPB	108255	NETWORK NODE ROUND, PIR MOTION SENSOR, PHOTOCELL, BRONZE	
NN-RDMPW	109924	NETWORK NODE ROUND, PIR MOTION SENSOR,PHOTOCELL, WHITE	
EM2-REMOTE-MT	111294	FIELD INSTALLABLE REMOTE MOUNT - 20°C BATTERY BACKUP (FOR UNIVERSAL (120-277V) PRODUCTS ONLY)	

\*Recommend using fixture PC instead of PC function in c-Max.

## Specifications

Specifications	WPC15	WPC20*	WPC28*	WPC40*	WPC70*	WPC100*
<b>Nominal Wattage (W)</b>	15W	10/16/ <b>20W</b>	15/20/ <b>28W</b>	20/30/ <b>40W</b>	50/59/ <b>70W</b>	84/90/ <b>100W</b>
<b>Output (lm)</b>	2,140-2,340	3,010-3,240	4,000-4,200	5,960-6,360	9,640-10,990	13,080-14,500
<b>Efficacy (lm/W)</b>	133-149	139-157	137-150	146-163	142-157	130-145
<b>CCT</b>	Selectable between 3000/4000/5000K					
<b>CRI</b>	≥80					
<b>L70 Lifetime (hrs)</b>	>100,000					
<b>Voltage</b>	120-277V	120-277V	120-277V	120-277V	120-277V	120-277V (277-480V available, 84/90/100W)
<b>Power Factor</b>	≥0.9					
<b>Dimming</b>	0-10V and high-end trim (with c-Max Controls)					
<b>Surge Protection</b>	6kV					
<b>Controls</b>	C-Max Compatible Standard (CR), integral photocell with on/off switch					
<b>Battery Backup</b>	120V or 277V only, 800-900 lumens, 1fc minimum in 10'x10' grid at 10-11' mounting height, 0°C 16W, -20°C 14W. During EM mode the product will operate at 5000K only.					
<b>Operating Temperature</b>	-40°C/-40°F - 40°C/104°F (10 Year Warranty), -40°C/40°F - 50°C/122°F (5 Year Warranty based on outdoor dusk to dawn operation in non-hazardous applications)					
<b>Certification</b>	cULus, DLC Premium, FCC and RoHS Compliant					
<b>Construction</b>	Die Cast Aluminum housing with corrosion resistant polyester paint and UV stabilized impact resistant polycarbonate lens					
<b>Environment</b>	Outdoor Wet Location and IP65					
<b>Warranty</b>	10 Year Standard Warranty					

\*Wattage Selectable versions, bold indicates default setting. See Lumen Chart below for lumens at other settings.

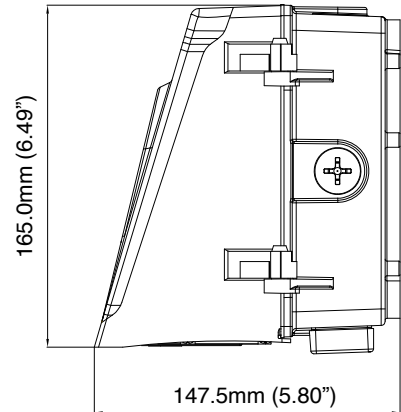
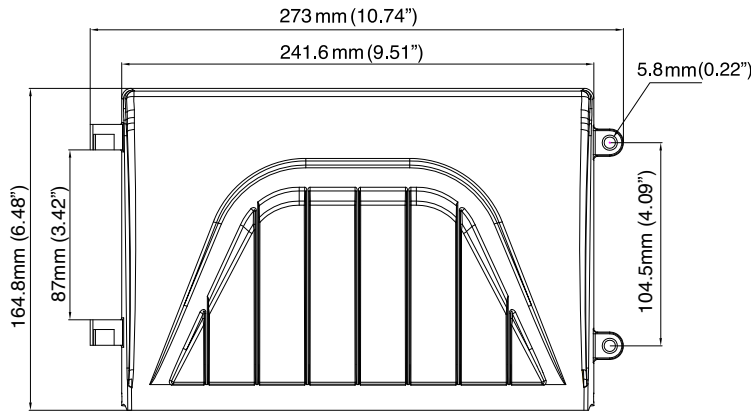
## WallMax Full Cutoff Lumen chart

WATTAGE*	3000K	4000K/5000K	WATTAGE*	3000K	4000K/5000K	WATTAGE*	3000K	4000K/5000K
10W (20W)	1,390	1,570	30W (40W)	4,380	4,890	84W (100W)	10,920	12,180
15W (28W)	2,050	2,250	50W (70W)	7,100	7,850	90W (100W)	11,700	13,050
16W (20W)	2,220	2,510	59W (70W)	8,370	9,260			

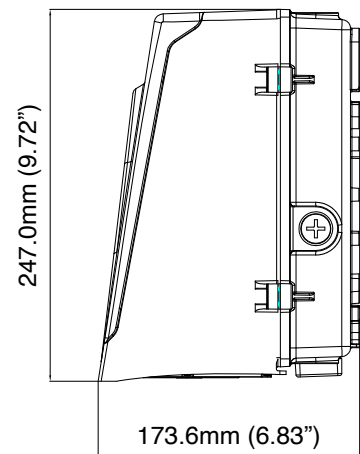
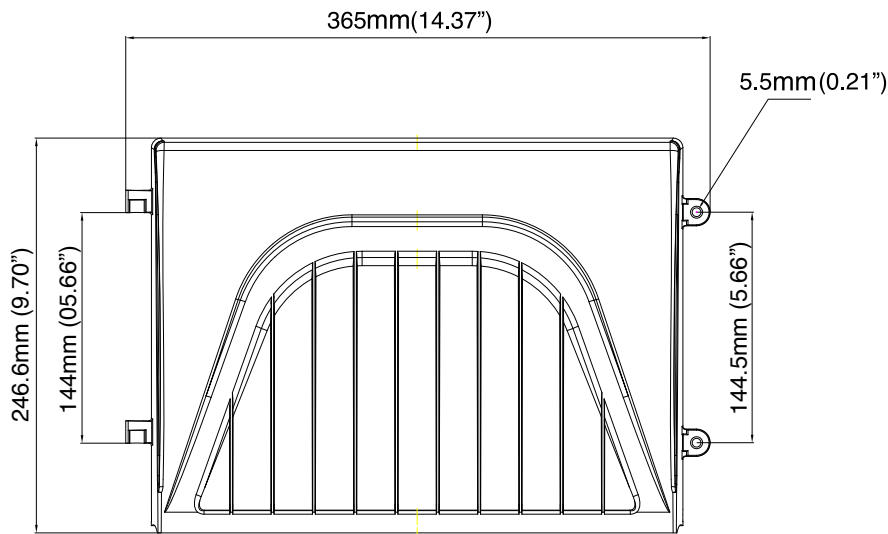
\*Number in parenthesis is highest (default) setting for wattage selectable versions.

# WallMax Full Cutoff Wall Pack

## Dimensions



15-28W MODELS



40-100W MODELS