

**Product Highlights:**

- Designed for LED lighting and signage applications
- Region Optimized Input voltage range 120V (108~132Vac)
- Built-in active PFC provide PF>0.90 over entire input range
- Class II power supply
- Plastic case (5VA) cooled by air convection
- Ideal for Down Light and Recessed Light application
- Suitable for placement in standard electrical junction box
- Protections: Short circuit / Over voltage / Over Current / Over temperature
- Triac and transistor dimmer support
 - Dimming at 120Vac
 - No visible flicker
 - Support majority of available dimming solutions
 - Wide dimming range from 5% up to 100%
- 5 year warranty

Compliance:

- Materials: RoHS Compliant
- Safety: UL8750, cUL
- EMI: FCC Part 15/18 Class B and EN55015 Compliant
- IP66 - Suitable for indoor or outdoor applications in dry, damp and wet locations
- Class A Noise Rating

Orderable Part Numbers**Constant Current Variants**

Part Number	Output Current (mA)	Output Voltage Range (V)	Load Reg.	Max. Effic.	Max. Output Power (W)	Dimmable
XEL-A012CA-X210-TU	210	25 ~ 38	±5%	85%	8.0	✓
XEL-A012CA-X240-TU	240	25 ~ 38	±5%	85%	8.4	✓
XEL-A012CA-X315-TU	315	25 ~ 37	±5%	85%	11.6	✓
XEL-A012CA-X350-TU	350	25 ~ 35	±5%	85%	13.3	✓
XEL-A012CA-X400-TU	400	25 ~ 33	±5%	85%	13.0	✓
XEL-A012CA-X450-TU	450	20 ~ 30	±5%	85%	14.0	✓
XEL-A012CA-X700-TU	700	10 ~ 20	±5%	85%	14.0	✓

-NA instead of -TA at the end of the part number would be non-dimmable variant. If the variant you need is not listed, please contact Xenerqi (Sales@Xenerqi.com) and we can arrange for a customized solution

General Specification

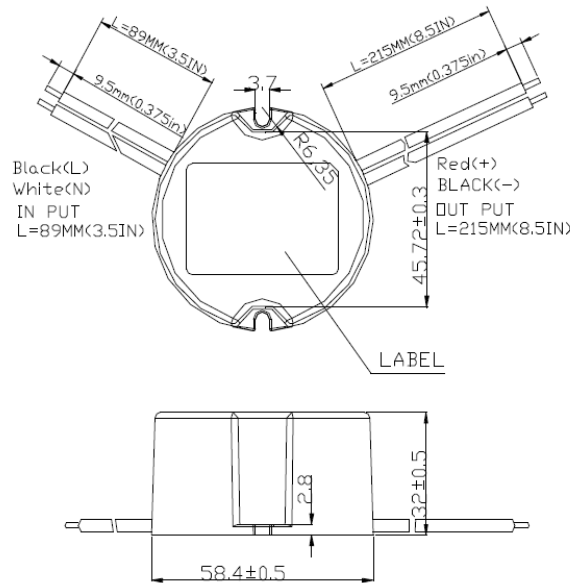
SERIES	XEL-A012CA(120V)	
OUTPUT	DC VOLTAGE RANGE	10 ~ 38 Vdc (see orderable parts table for details)
	RATED CURRENT RANGE	200mA ~ 700mA (see orderable parts table for details)
	RATED POWER	up to 14W
	LOAD REGULATION ¹	±5%
	TURN ON TIME	< 1s
INPUT	VOLTAGE RANGE	108 ~ 132Vac
	FREQUENCY RANGE	47 ~ 63Hz
	POWER FACTOR (Typ.)	PF≥ 90% at full load
	EFFICIENCY (Typ.)	≥ 80 % at full load
	AC CURRENT	0.15A @ 120Vac
	INRUSH CURRENT (Typ.)	< 8A @ 25°C, 120VAV cold start with full load
	LEAKAGE CURRENT	< 250µA @ 120V
	THD (TOTAL HARMONIC DIST.)	< 20%
DIMMING	MODES	Triac and transistor dimmer support Wide dimming range from 5% up to 100%
PROTECTION	SHORT CIRCUIT	Hiccup mode protection. Recovers automatically after fault condition is removed
	OVER VOLTAGE	< 30% above the maximum output voltage listed or 42V, whichever is higher
	OVER CURRENT	< 10% above the maximum output current listed for the specific part number
	OVER TEMPERATURE	The unit automatically dims down to 15% of output when TC>90°C
ENVIRONMENT	WORKING TEMP.	-30°C ~ + 55°C ambient at full load (Tcase rated for 90°C)
	WORKING HUMIDITY	5% ~ 95% RH non-condensing
	STORAGE TEMP.	-40°C ~ + 85°C ambient
	STORAGE HUMIDITY	5% ~ 95% RH non-condensing
	IMPACT RESISTANCE	1 g/s
VIBRATION	5~500Hz 5g 12 min/1 cycle period for 30 min each along x, y, z axis	



SAFETY & EMC	SAFETY STANDARDS	UL8750, CSA22.2, CE, FCC, IP66 Compliant
	EMI CONDUCTION & RADIATION	Compliance to CISPR 22 CLASS B, CISPR 14-1 CLASS B, GB4343.1-2003, GB17625.1-2003, GB4343-2003+A1, CISPR 14-1:1997, EN55014-1:1997-5, EN55012-1:1997-6
	HARMONIC CURRENT	Compliance to GB4343-2003+A1, CISPR 14-1:EN61000-3-2:1995
	EMS IMMUNITY	Compliance to GB/T13926.3, IEC61000-4-3 & 4-4, PrEN55014-2 Section 6.2 & 6.5, IEC61000-4-11.
	TRANSIENT SUPPRESSION	2.5kV (100kHz ring wave at 2.5kV common mode and differential)
OTHERS	LIFETIME	50,000 hour at full load and 55°C ambient temperature

Note 1: Load Regulation includes line regulation, load regulation and set-up tolerance
 Note 2: All specifications not specifically mentioned are measured at 230Vac and 25°C ambient temperature

Mechanical Details



Drawing not to scale

Wires	Colors	Type
Input	White (Neutral)	UL1015
	Black (Line)	AWG18
Output	Red (Positive)	UL1430
	Black (Ground)	AWG18

Case	
Material	Black/White PC Plastic (5VA)
Unit Weight	120g
Dimensions	58.4mm (D) x 32.0mm (H)

For more detailed information about this product please contact Xenerqi (sales@xenerqi.com)

Xenerqi Limited

Email: Sales@Xenerqi.com

Website: www.xenerqi.com

Phone: +1 (704) 746-9246

+ (852) 3050-9292

+ (65) 6494-8832

The information and specifications contained in this summary sheet are believed to be accurate and reliable at the time of publication, however Xenerqi Limited assumes no responsibility for damages caused due to potential errors. Also, Xenerqi Limited assumes no responsibility for the use of this product in such way that it infringes on patents or other rights of third parties. No license is granted by implication or otherwise under any patent or patent rights of Xenerqi Limited. Specifications are subject to change without notice and it is the user's responsibility to ensure they have the latest version.